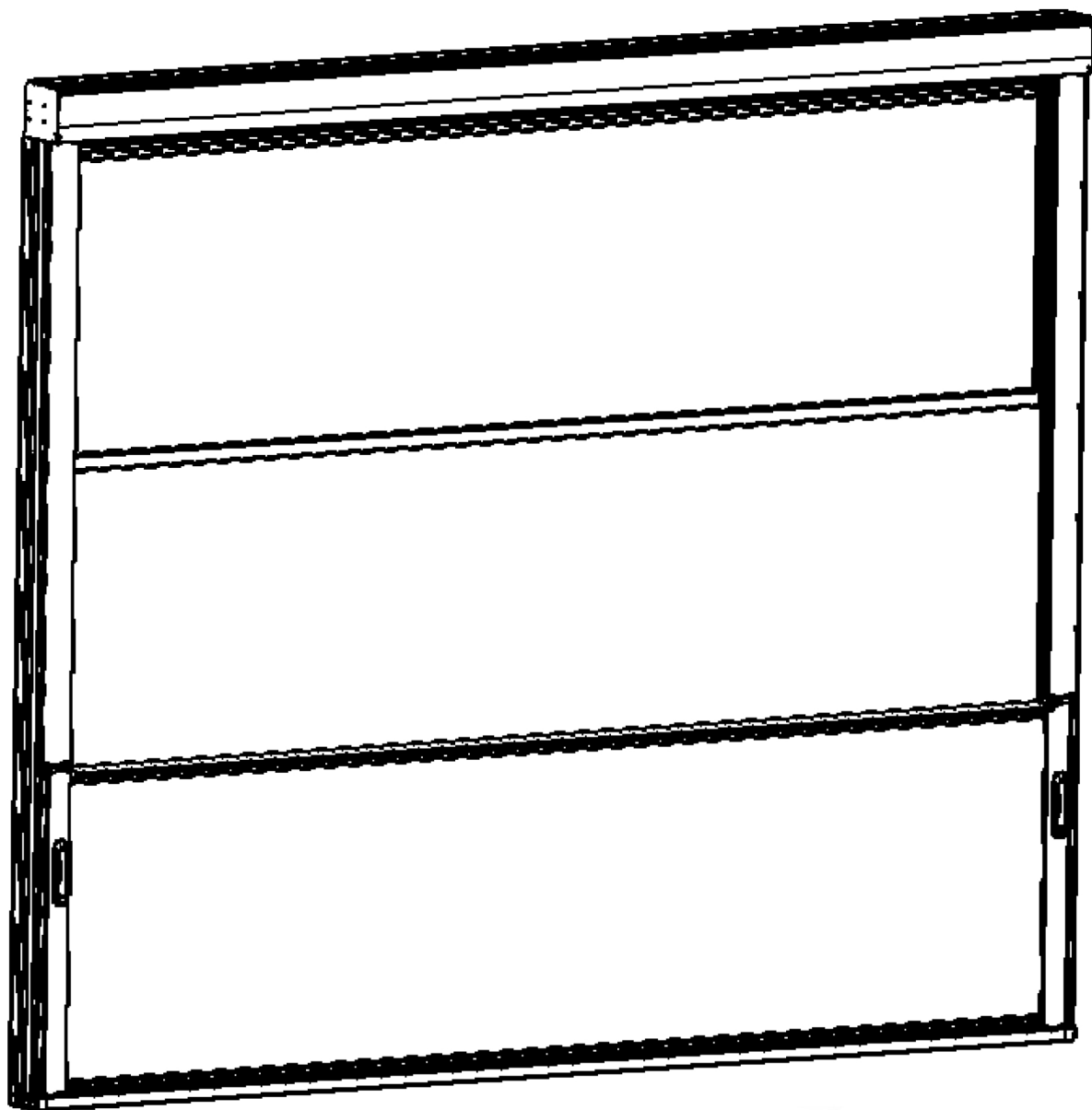


GILJOTINA BALCON

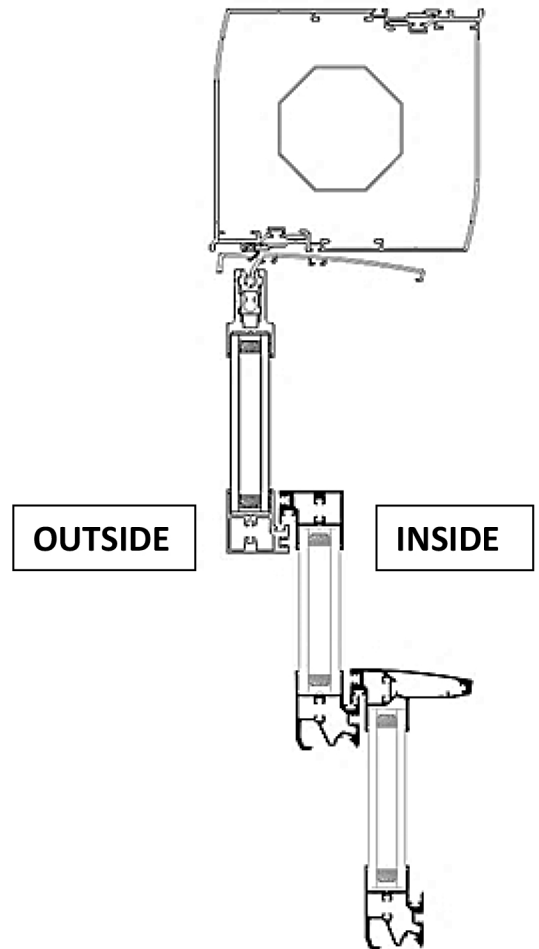
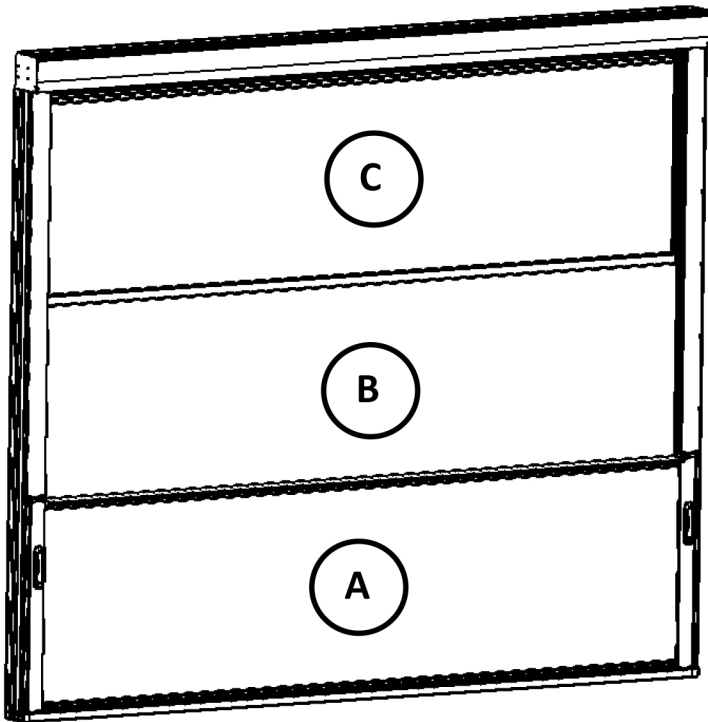
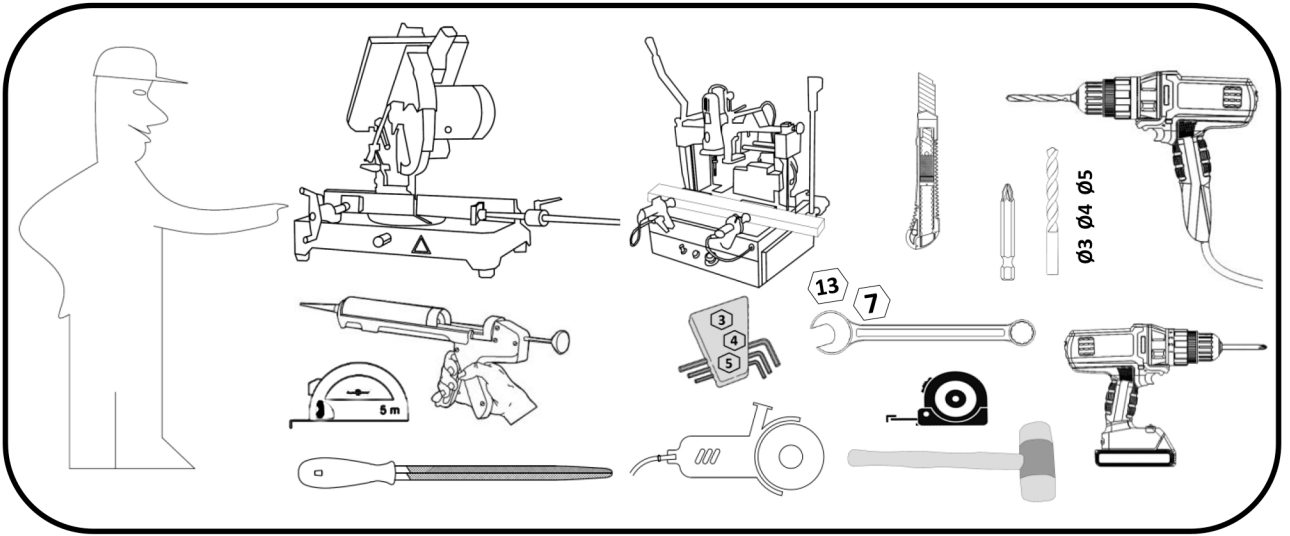
ПРОИЗВОДСТВО ПО ЭКСПЛУАТАЦИИ



PanoramGlass
безрамное остекление

PanoramGlass

безрамное остекление



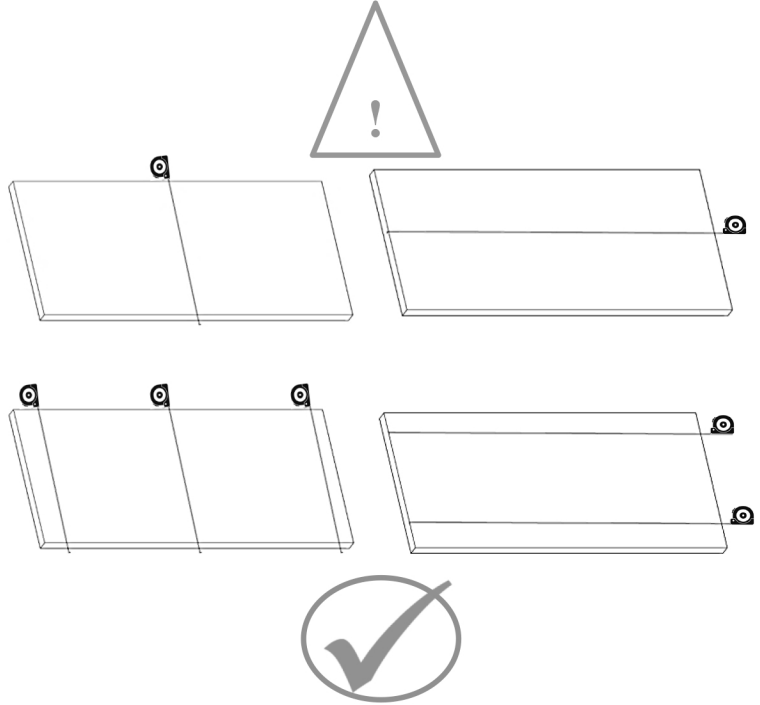
PanoramGlass

безрамное остекление

1

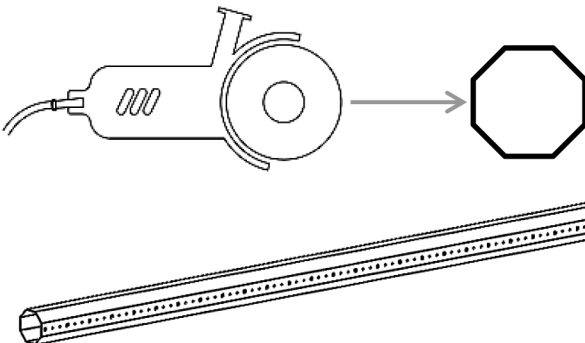
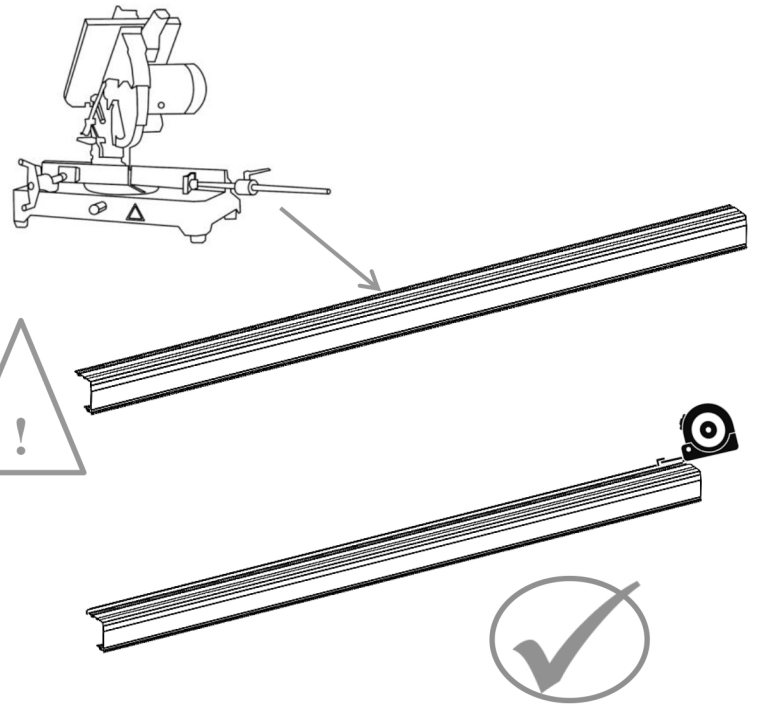
ALBERT GENAU VERTEFLEX TWIN

HÜSTERİ ADI SOYADI:		Tarih: 02.01.2019				
BÖLÜN ÖLÇÜLERİ						
BÖLÜN	BÖLÜN BİRLİK OLÜSÜ	SABİT PANEİL YERLEŞİĞİ (SİZİN ÖLÇÜSÜ)	SABİT PANEİL HAŞIÇ CAH SAYISI	VEKİLELİK		
	3000		3	2500		
Yuvalema Parkından Deleney Olmasın Gelenek Bölüm Bölümde Ölçü						
MOTOR TİPİ						
☐ ALBERT GENAU MOTOR						
☐ SOMFY MOTOR						
CAH ÖLÇÜLERİ						
CAH TANIMI			HİKTAR	BİRİM		
2859	X	748	mm 5mm +12 +5mm İçcam	İÇ-SABİT	1	ADET
2859	X	762	mm 5mm +12 +5mm İçcam	ORTA	1	ADET
2859	X	748	mm 5mm +12 +5mm İçcam	DIŞ	1	ADET



2

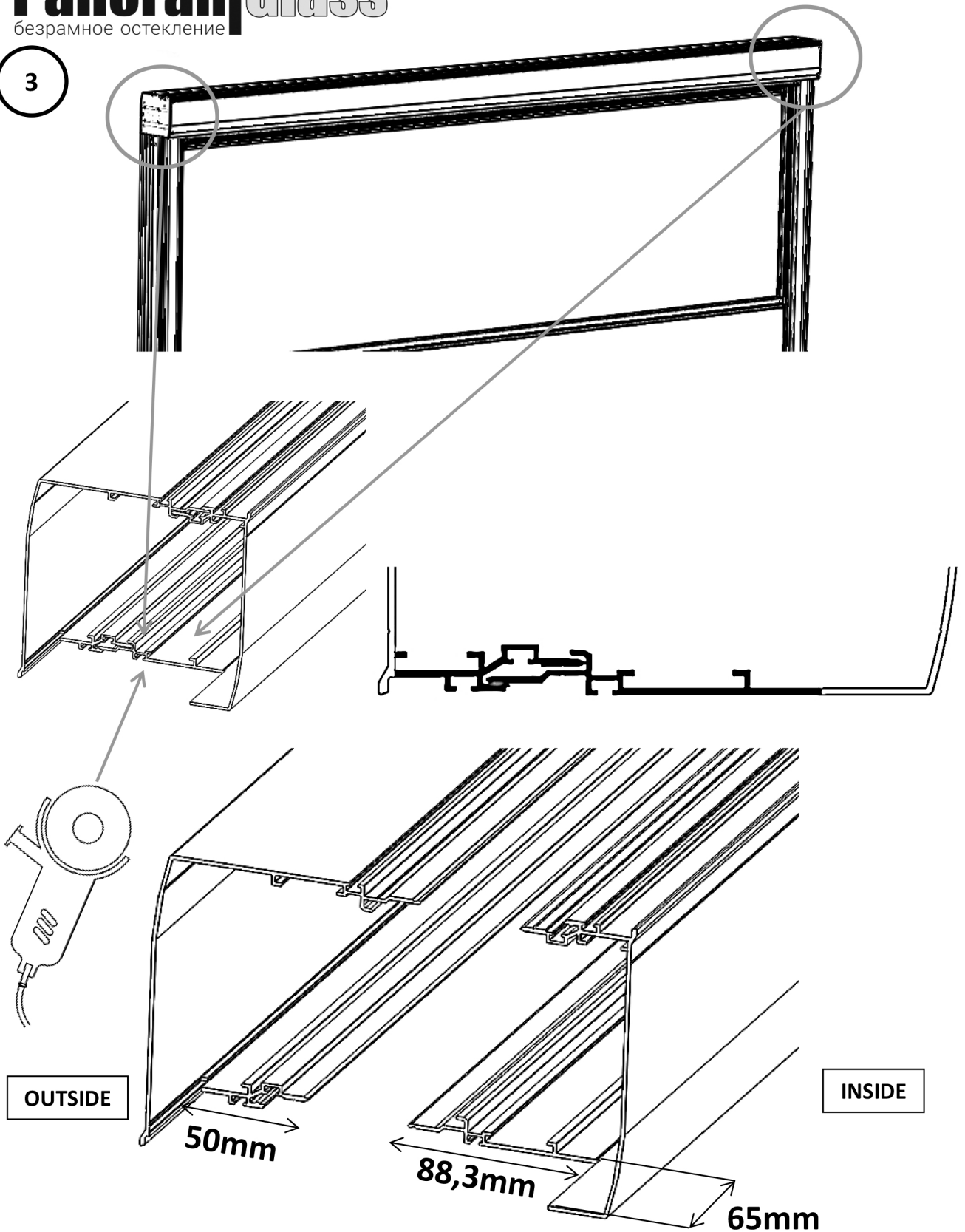
PROFILE DESCRIPTION	DIMENSIONS	QTY	UNIT	
137*127 MOTOR CAP PROFILE	2994 mm	2	Pcs.	
35*34 PULLING PROFILE	2812 mm	2	Pcs.	
117*28 HANDRAIL PROFILE	2812 mm	1	Pcs.	
61*74 SIDE DUAL CHANEL PROFILE	1858 mm	2	Pcs.	
18*84 SIDE SINGLE CHANEL PROFILE	2837 mm	2	Pcs.	
	1856 mm	2	Pcs.	
16*116 SIDE PROFILE	2837 mm	2	Pcs.	
37*127 ALT KASA PROFİLİ	2972 mm	1	Pcs.	
74*36 ÇEKİRME PROFİLİ	2820 mm	1	Pcs.	
35*48 ÇEKİRME PROFİLİ	2818 mm	2	Pcs.	
65*43 İSPANYOLET KİLİT PROFİLİ	964 mm	2	Pcs.	
38*30 KİLİT KARŞILIK PROFİLİ	979 mm	2	Pcs.	
61*74 YAN DİKME İKİLİ TIRNAKSIZ KANAL PROFİLİ	979 mm	2	Pcs.	
18*20 PANEL PROFILE	Top Panel + Top Mt.	2812 mm	1	Pcs.
	Middle Panel + Sides Mt.	959 mm	2	Pcs.
35*14 SIDE CAP PROFILE	Top Panel + Sides Mt.	964 mm	2	Pcs.
	For the Upper of Bottom Panel	1856 mm	2	Pcs.
35*14 SIDE CAP PROFILE	For the Upper of Middle Panel	930 mm	2	Pcs.
Ø70x1.2mm OCTAGONAL PROTECTION PIPE	2915 mm	1	Pcs.	



PanoramGlass

безрамное остекление

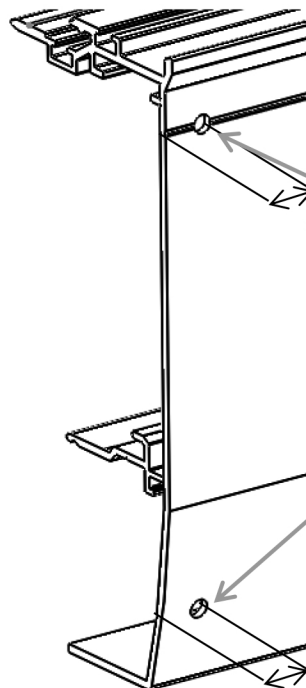
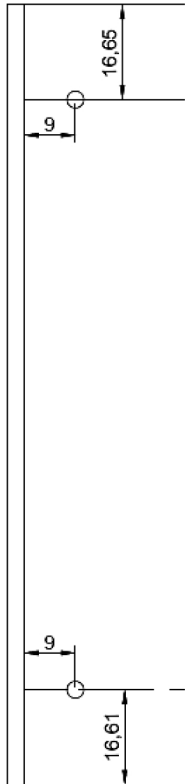
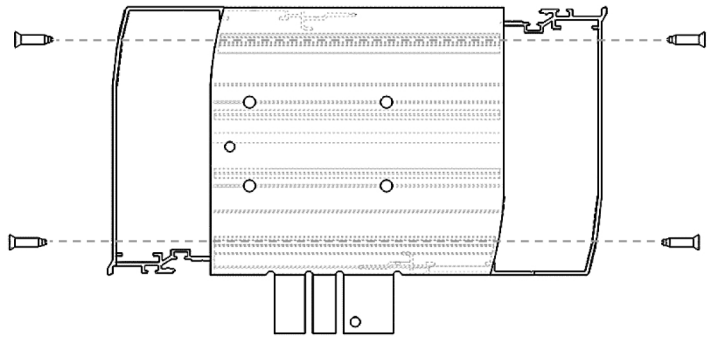
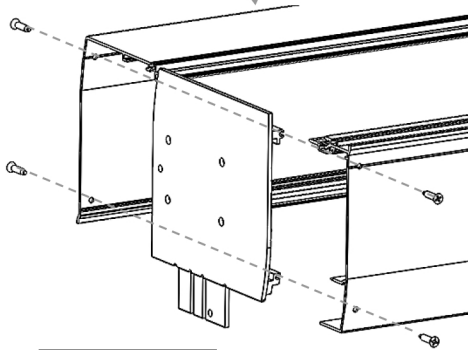
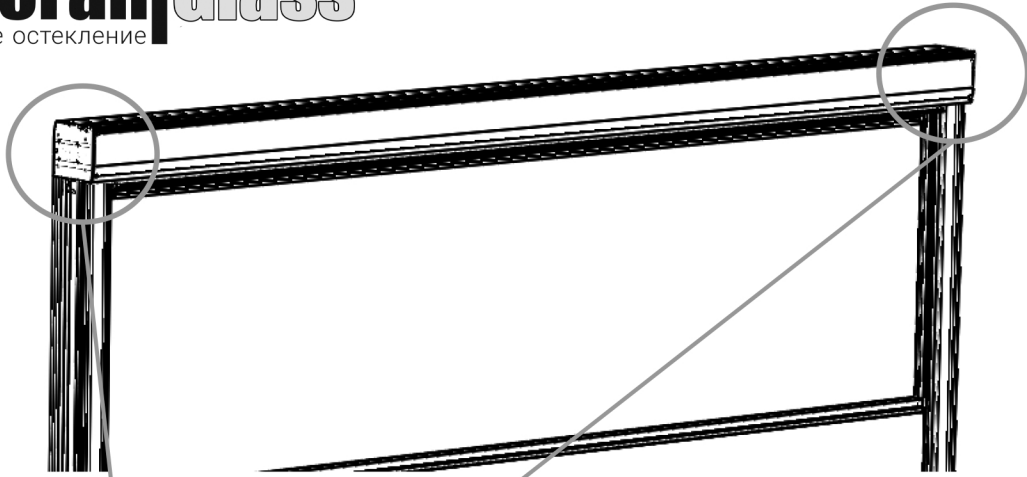
3



PanoramGlass

безрамное остекление

4

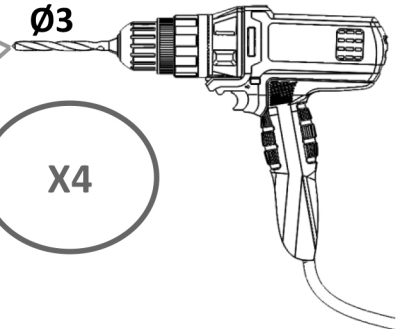


9mm

9mm

Ø3

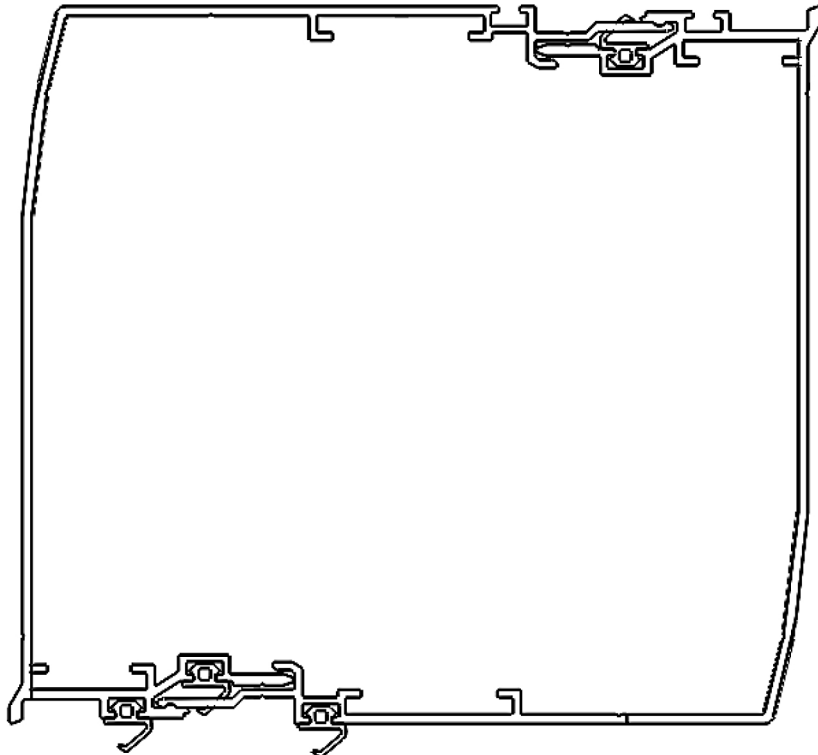
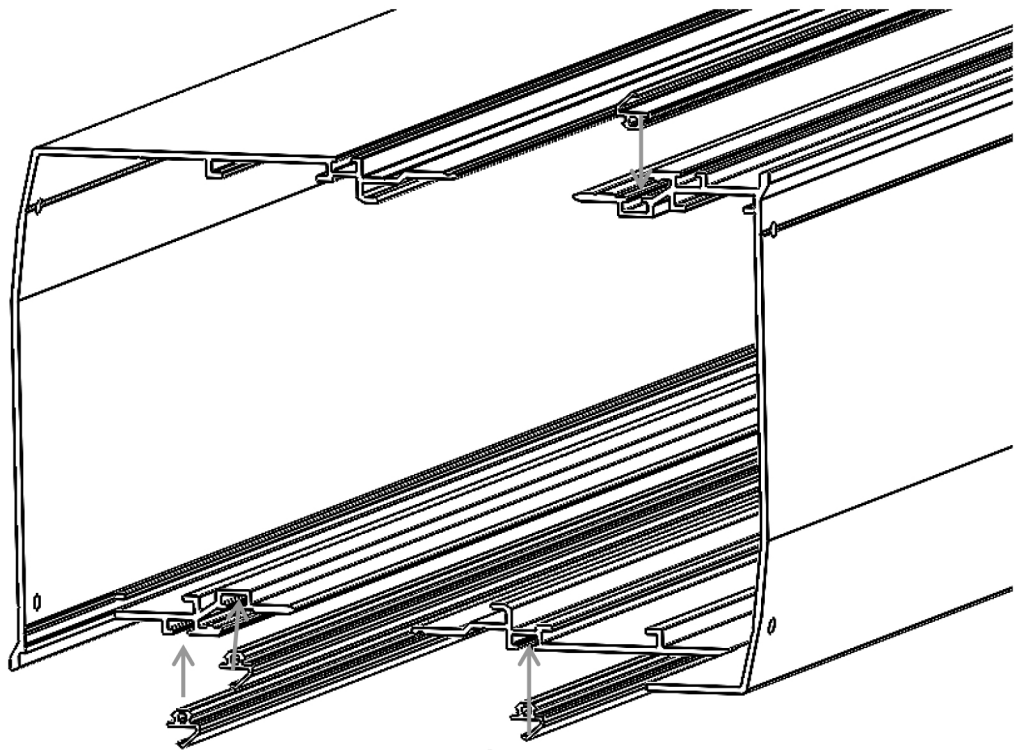
X4



PanoramGlass

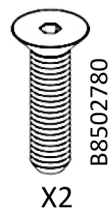
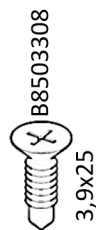
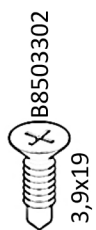
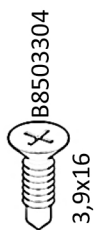
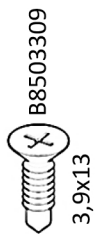
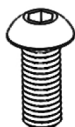
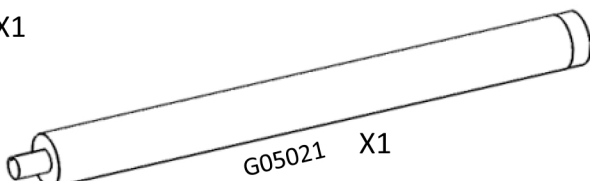
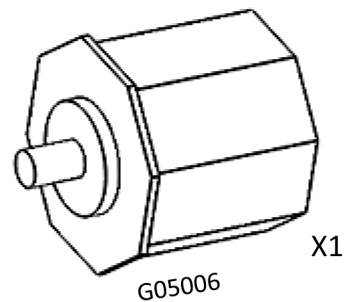
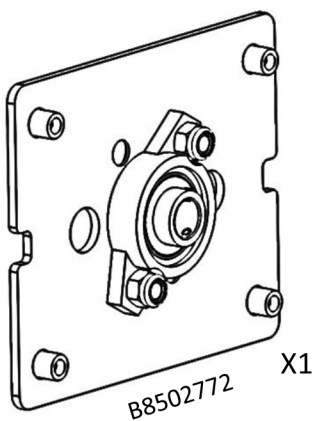
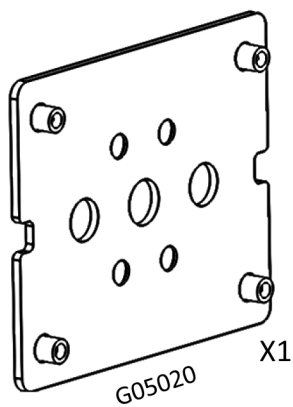
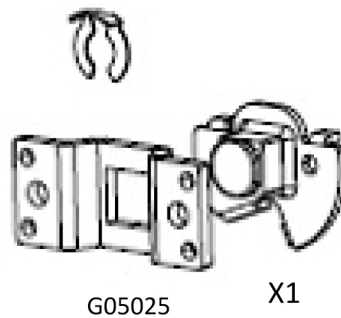
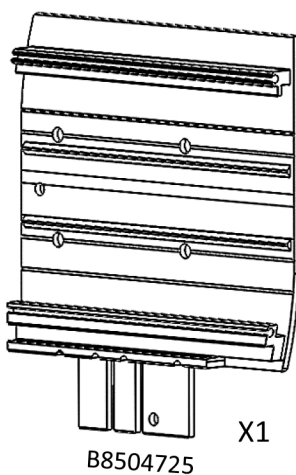
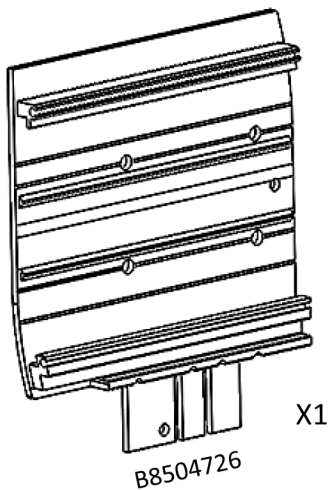
безрамное остекление

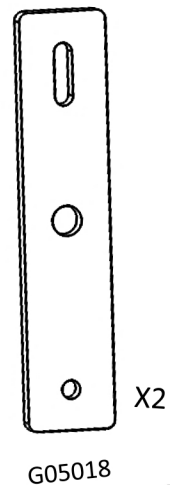
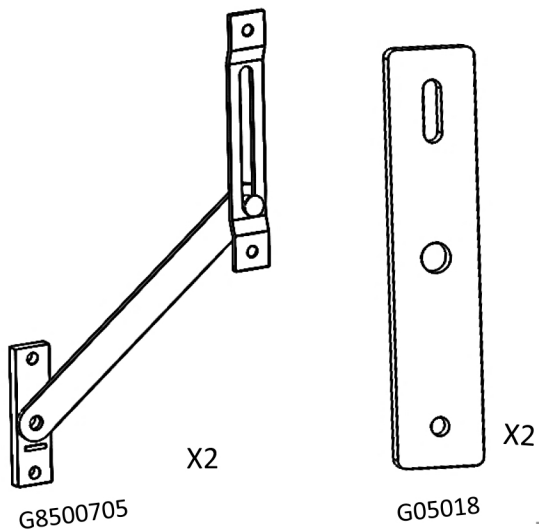
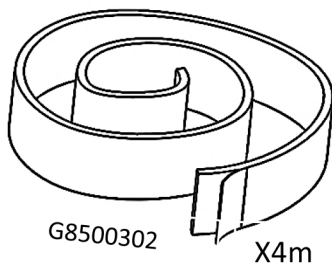
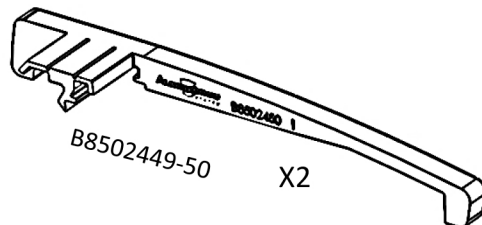
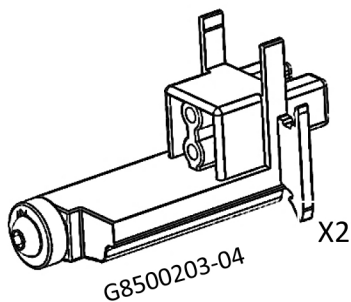
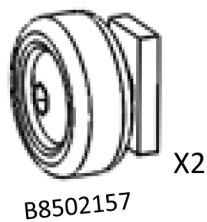
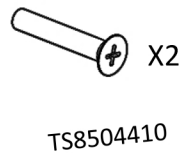
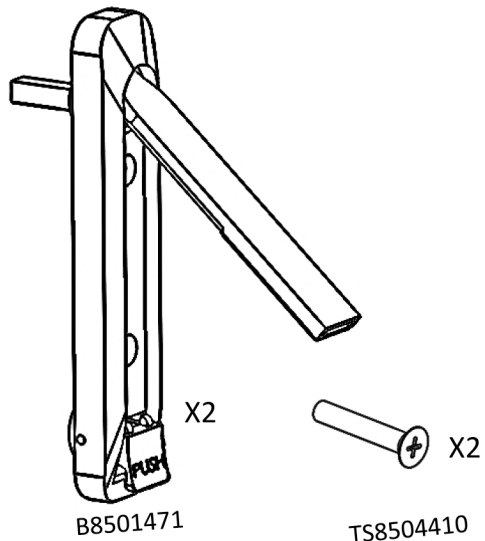
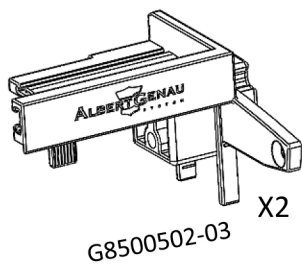
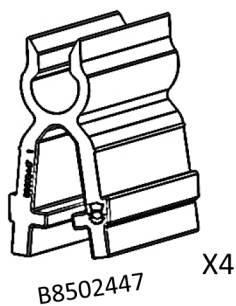
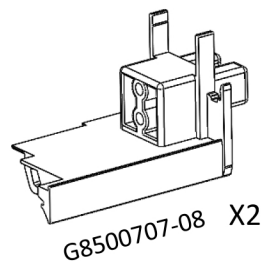
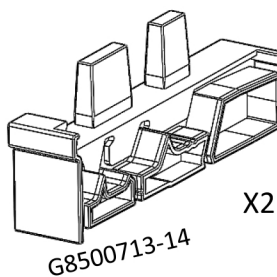
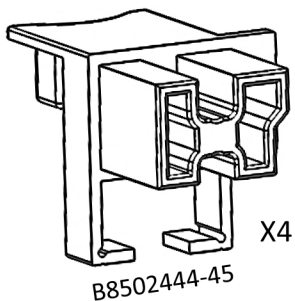
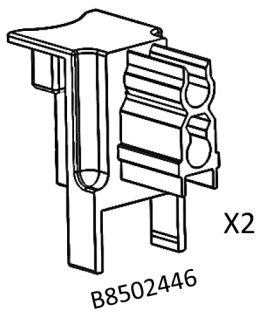
5

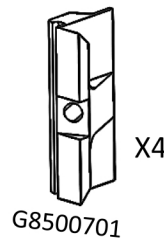
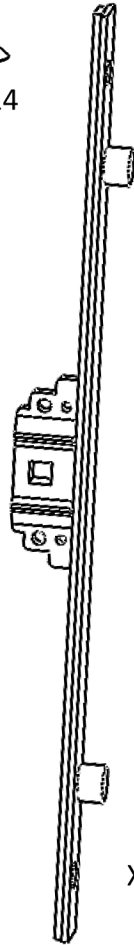
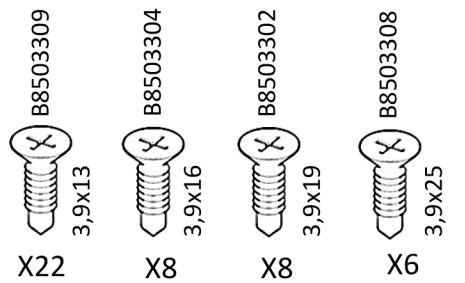
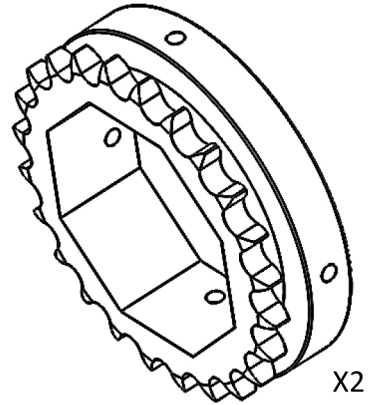
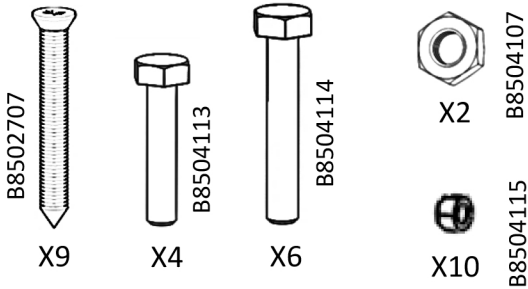
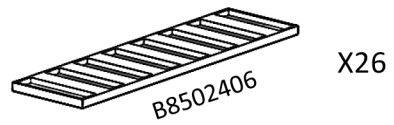
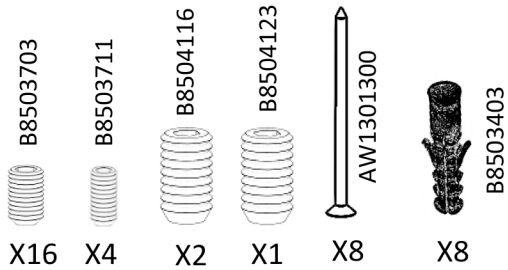


OUTSIDE

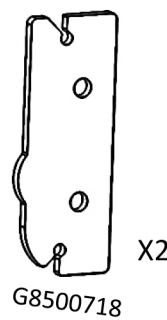
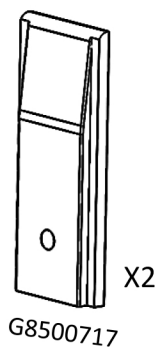
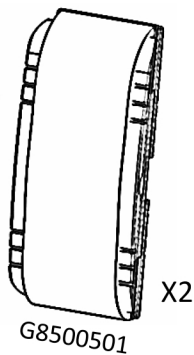
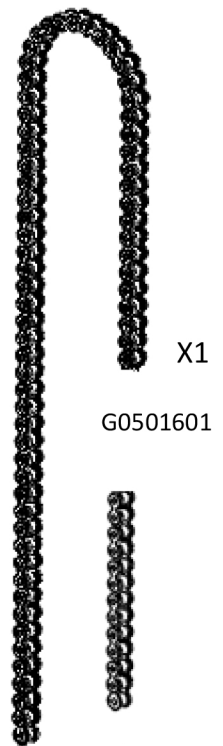
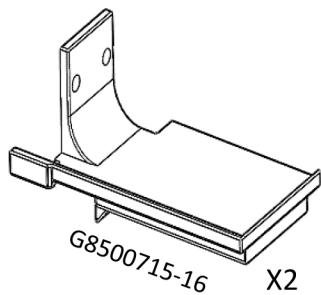
INSIDE



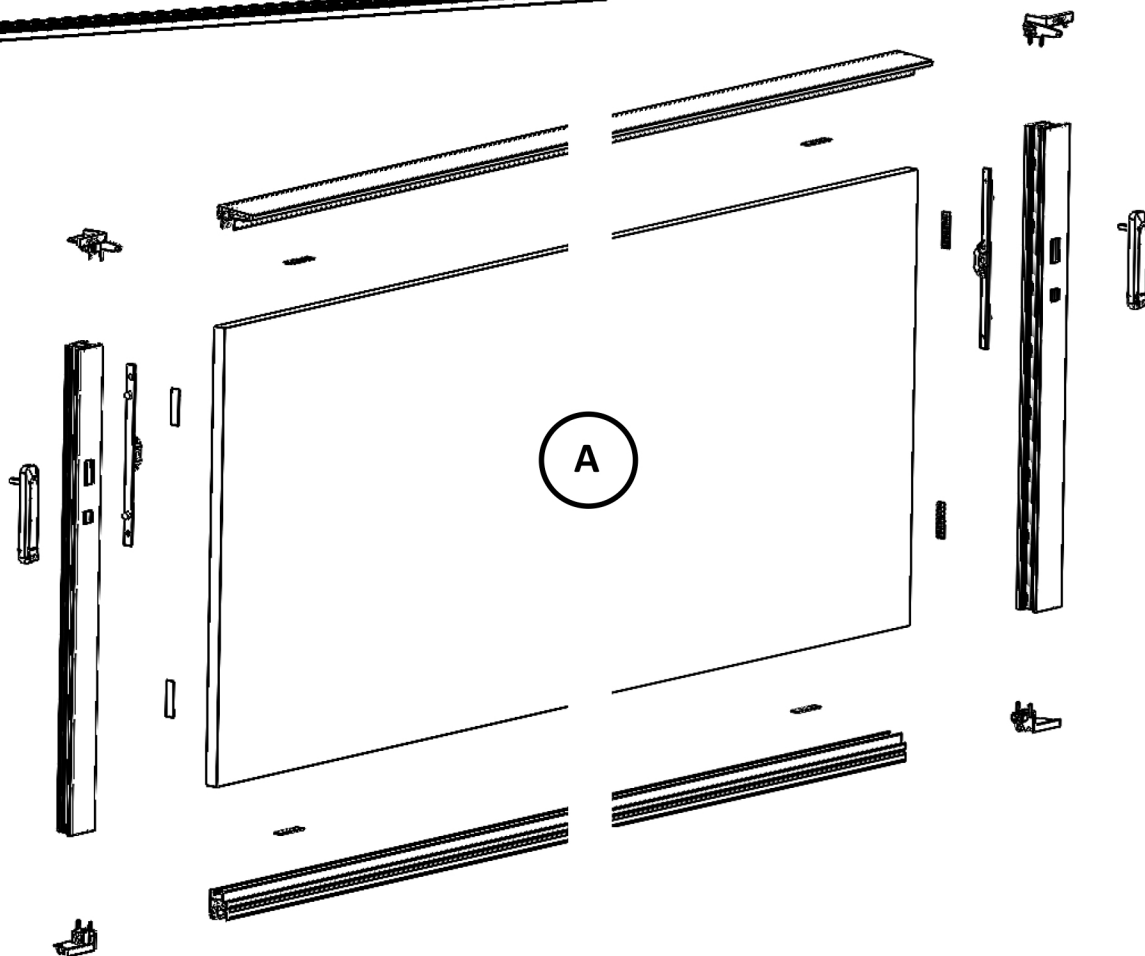
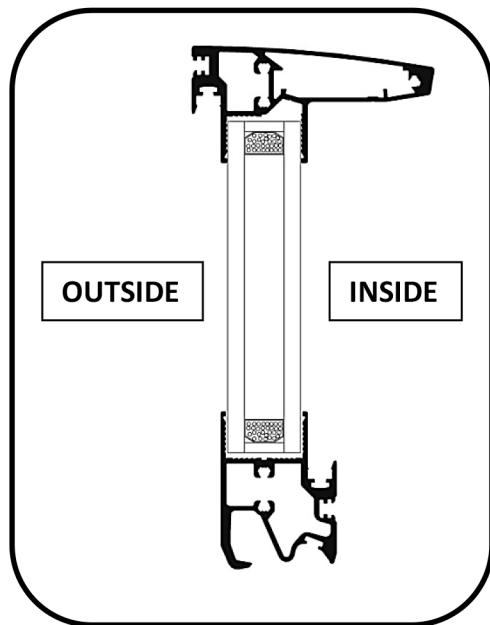
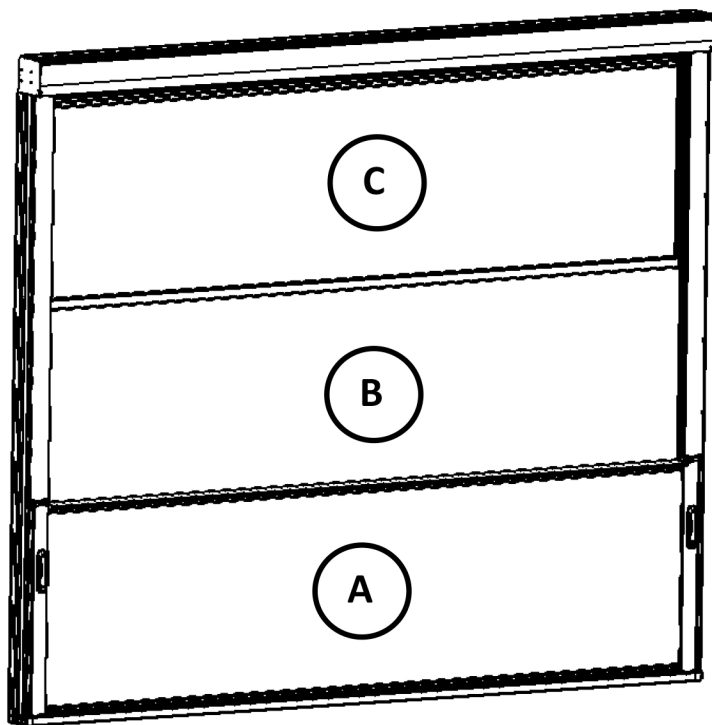




G05026



A

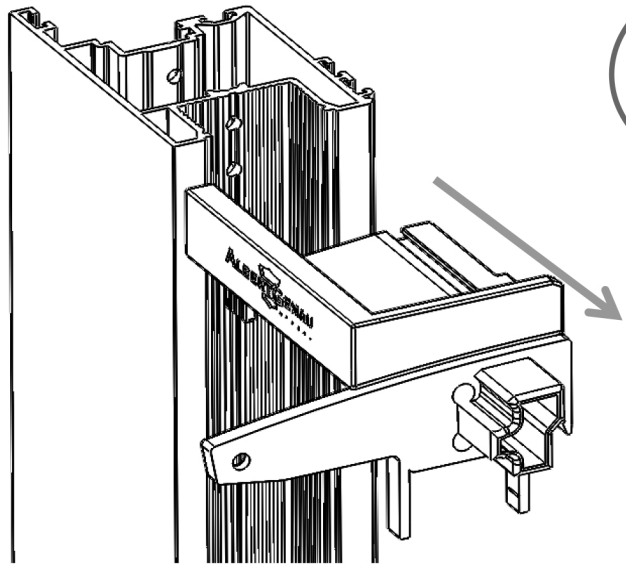
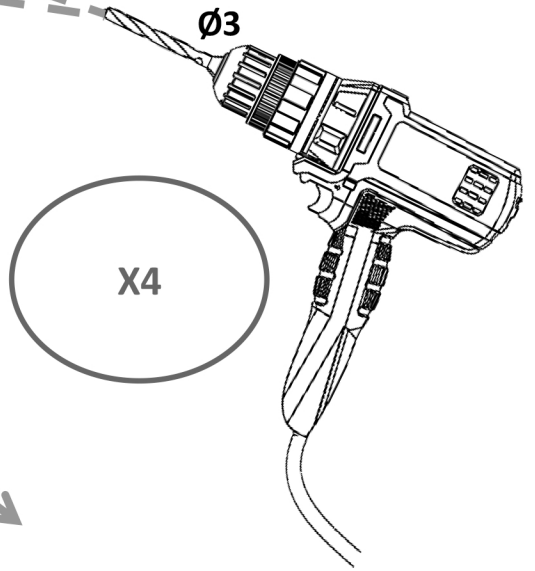
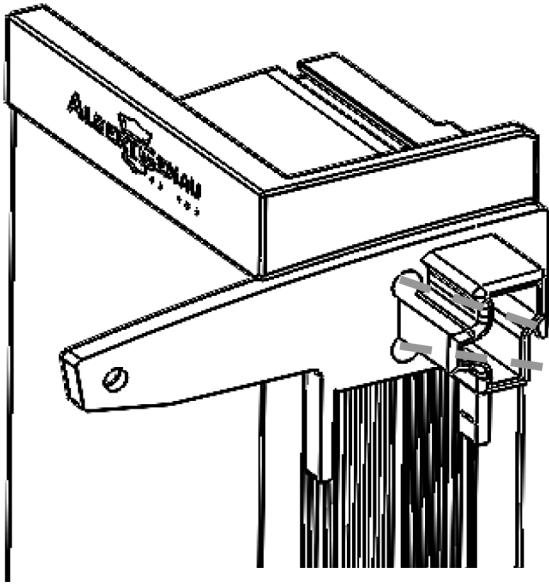
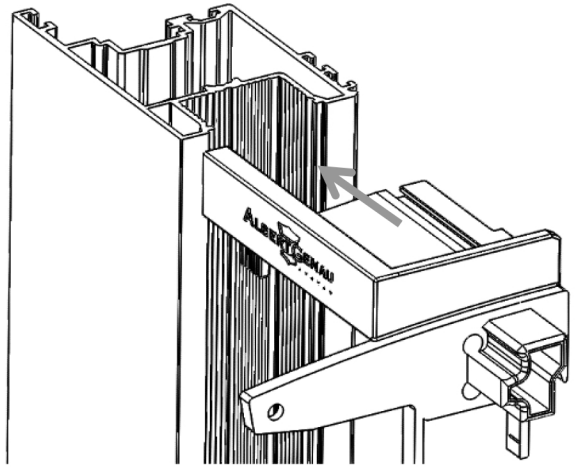
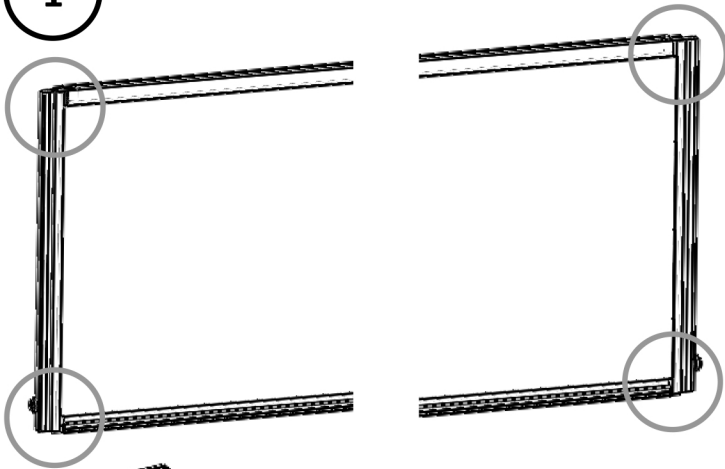


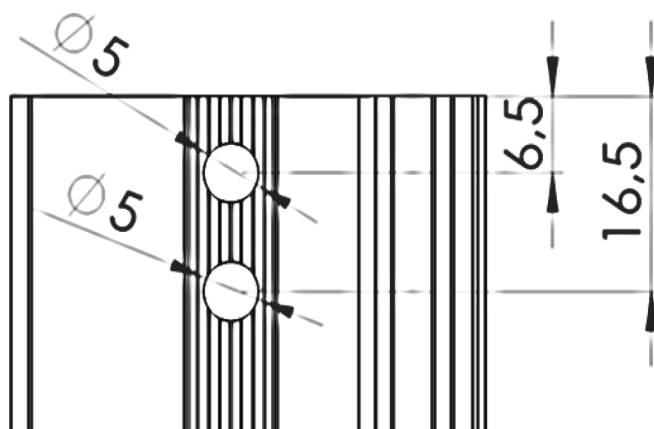
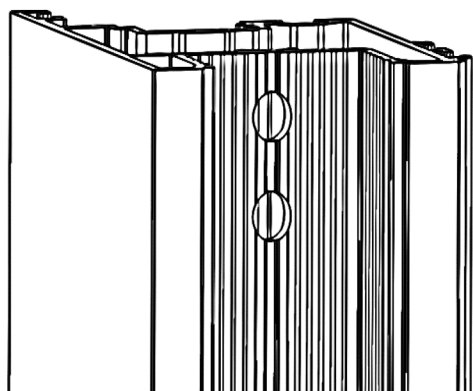
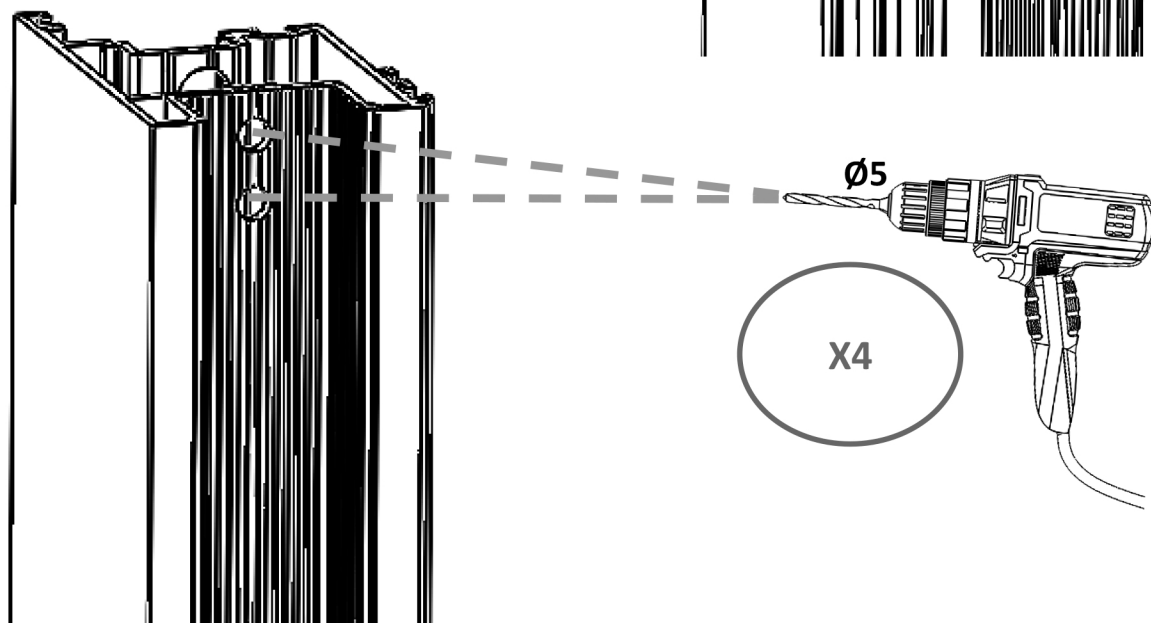
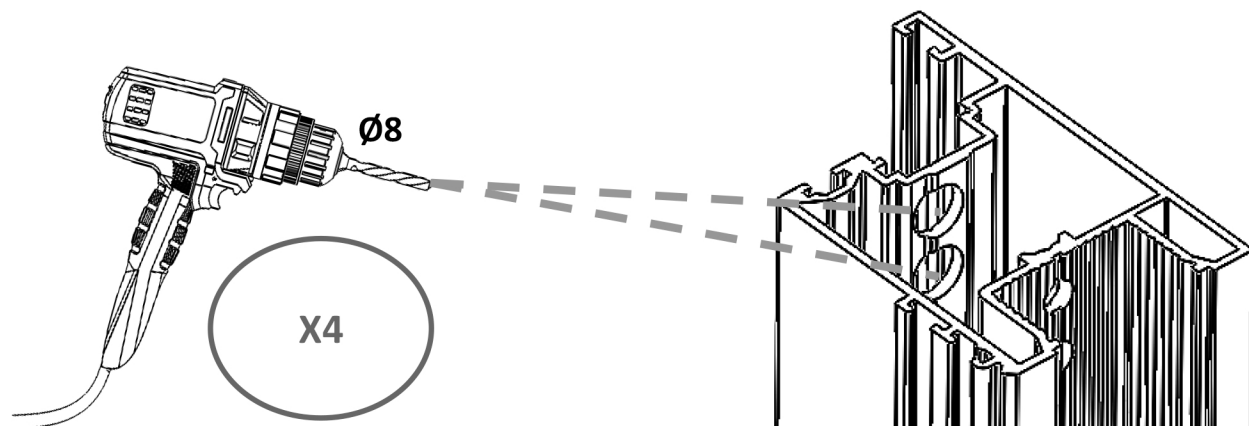
PanoramGlass

безрамное остекление

A

1

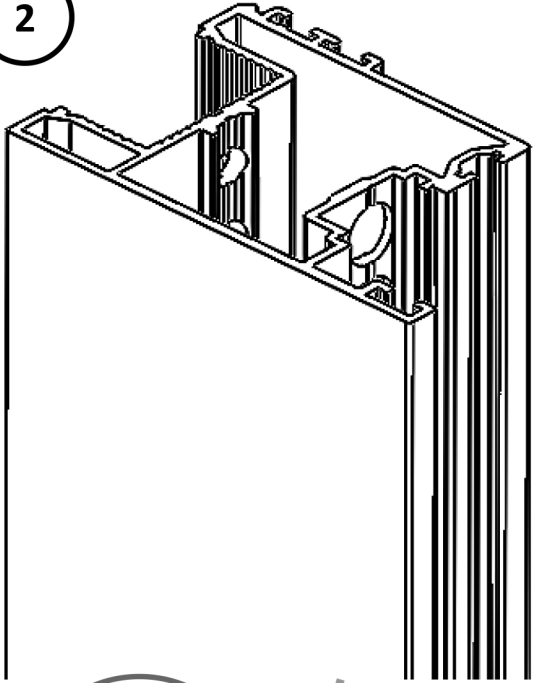




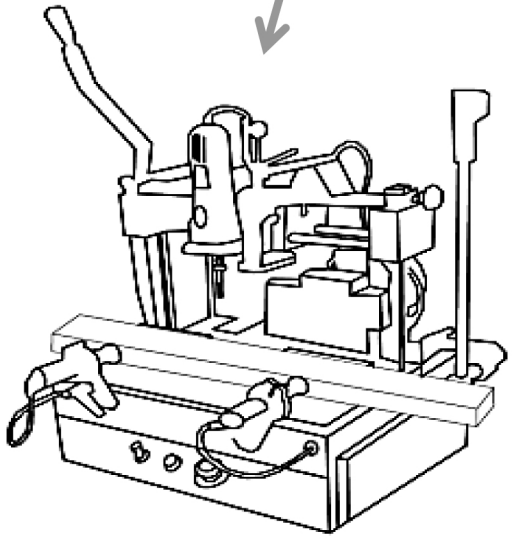
PanoramGlass

безрамное остекление

2



X2



177 mm

51 mm

70 mm

24 mm

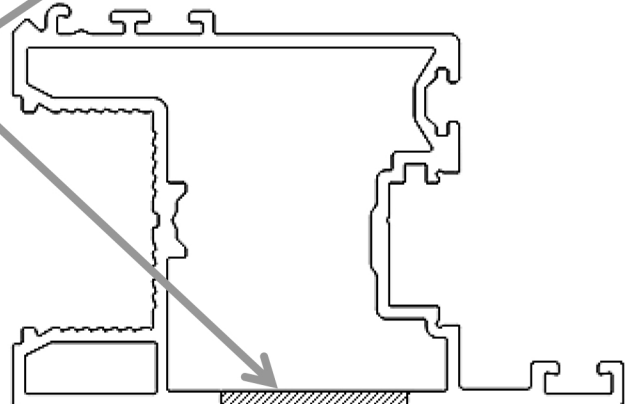
A

24 mm

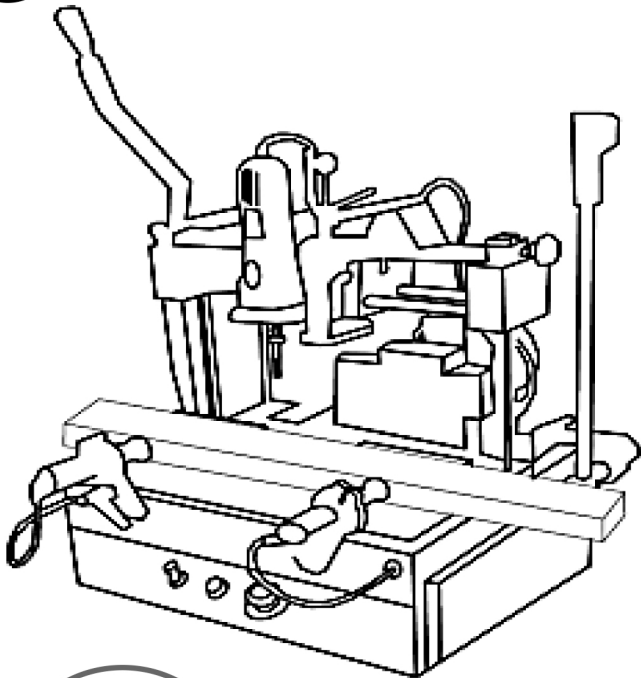
21 mm

21 mm

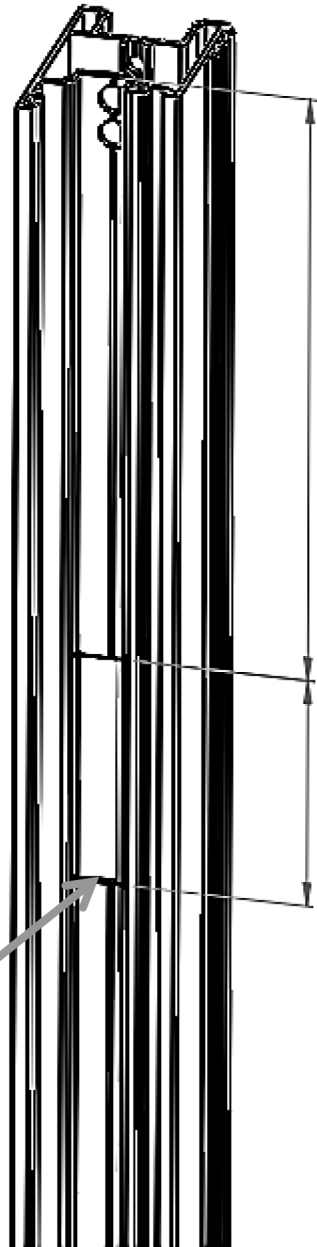
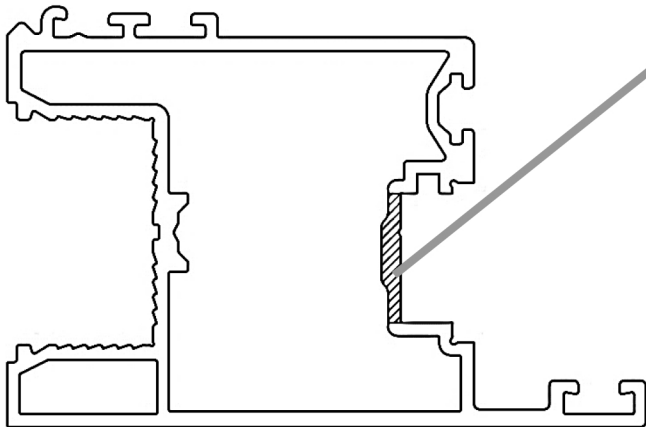
24 mm



3



X2



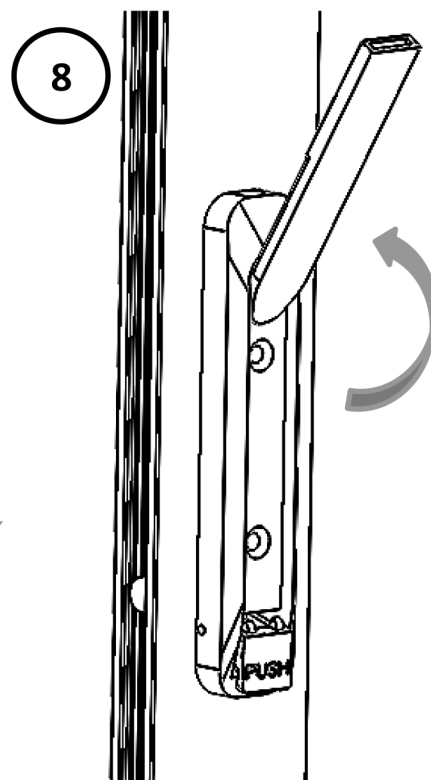
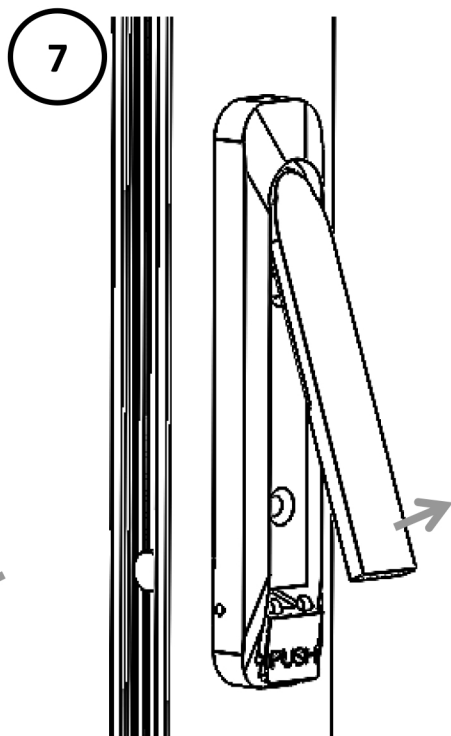
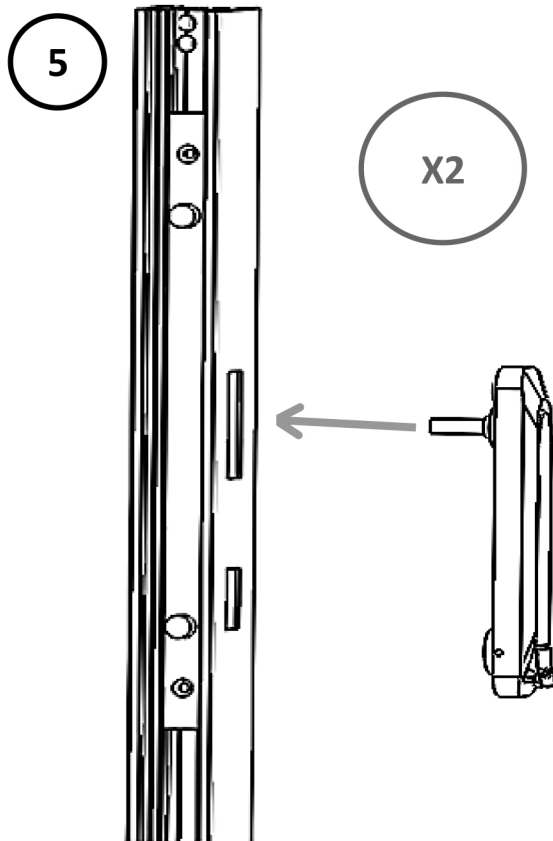
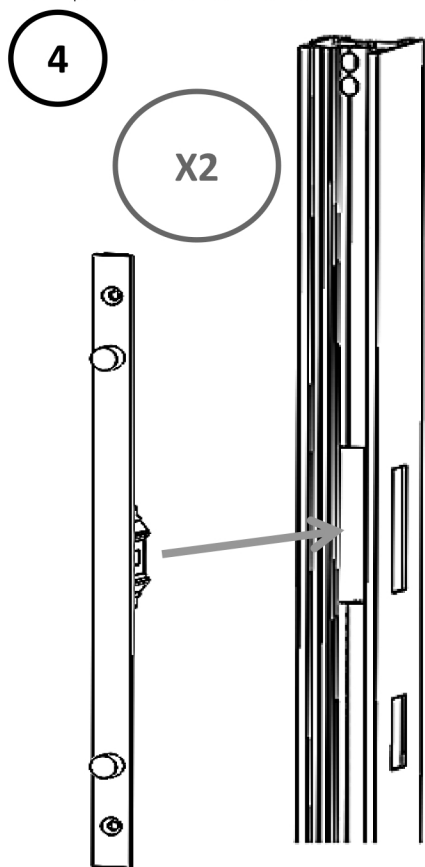
167,5 mm

67 mm

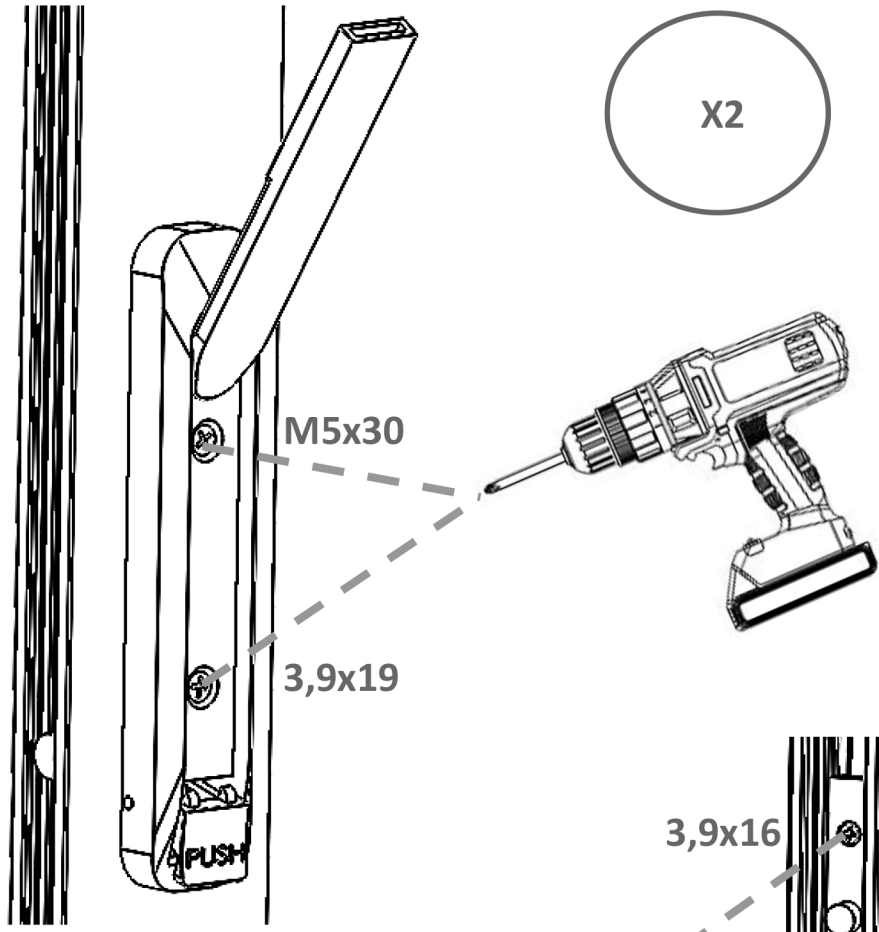
PanoramGlass

безрамное остекление

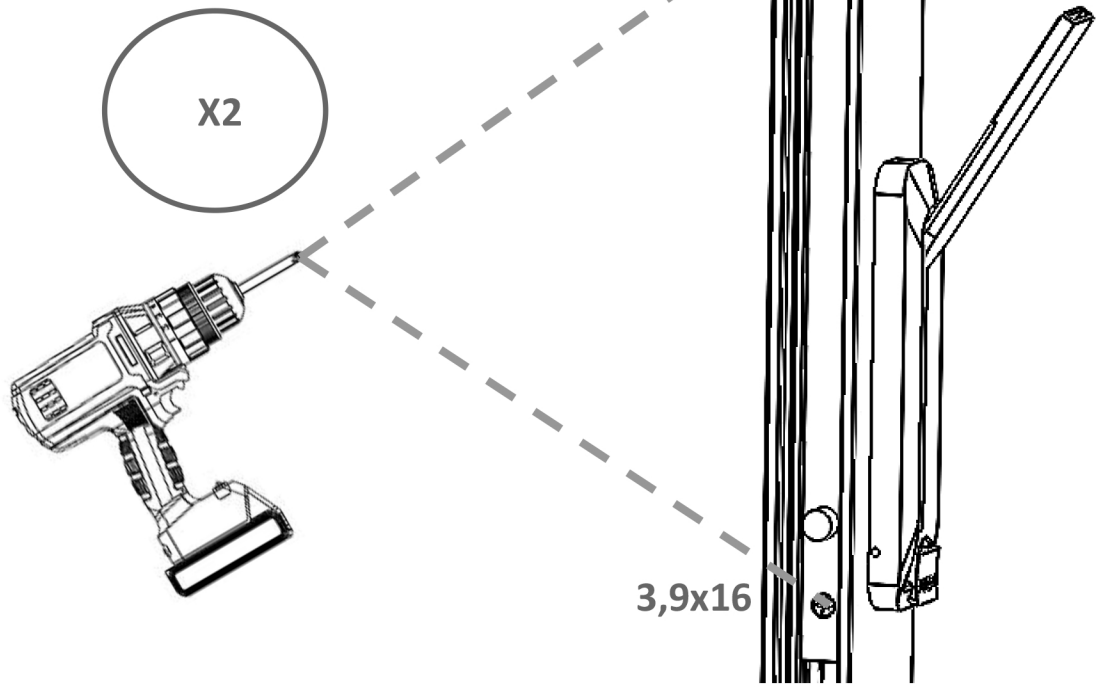
A



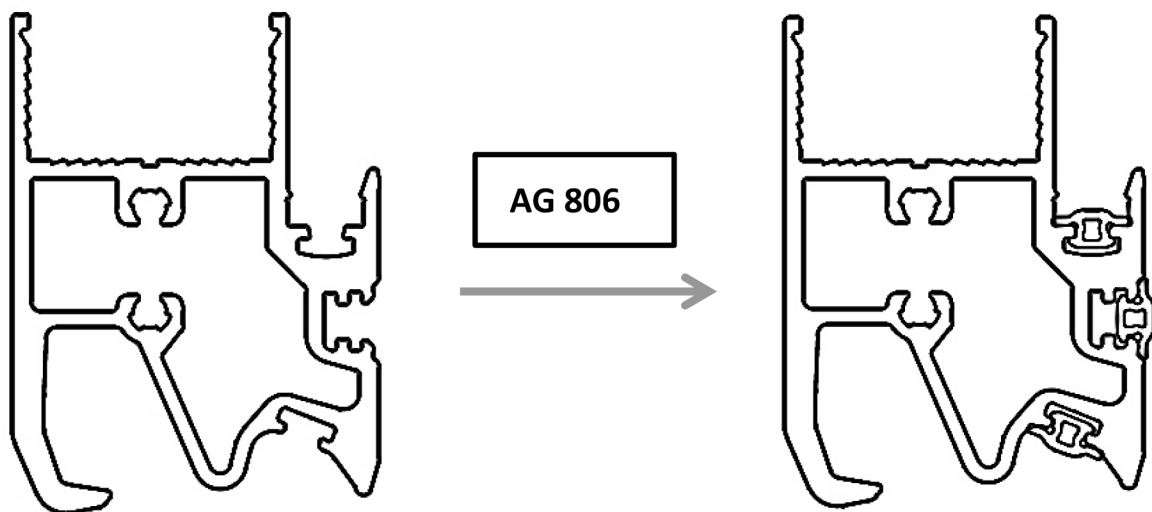
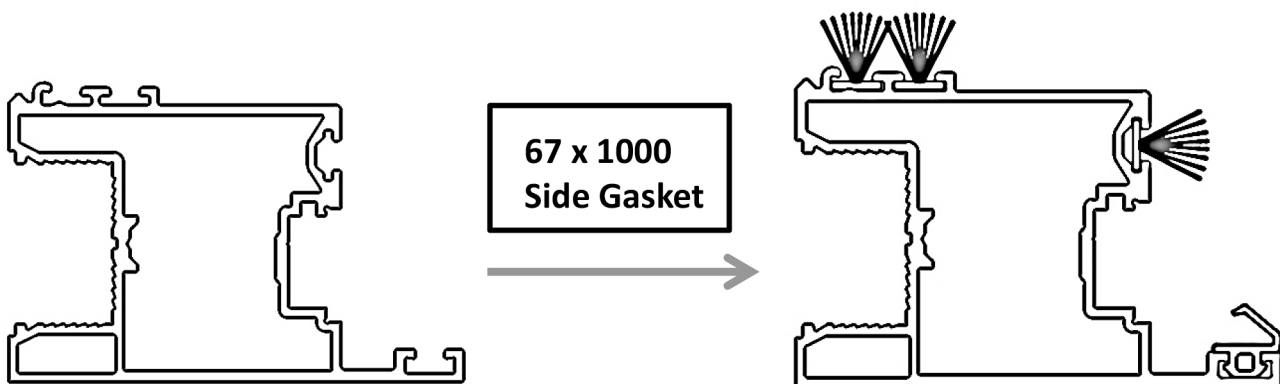
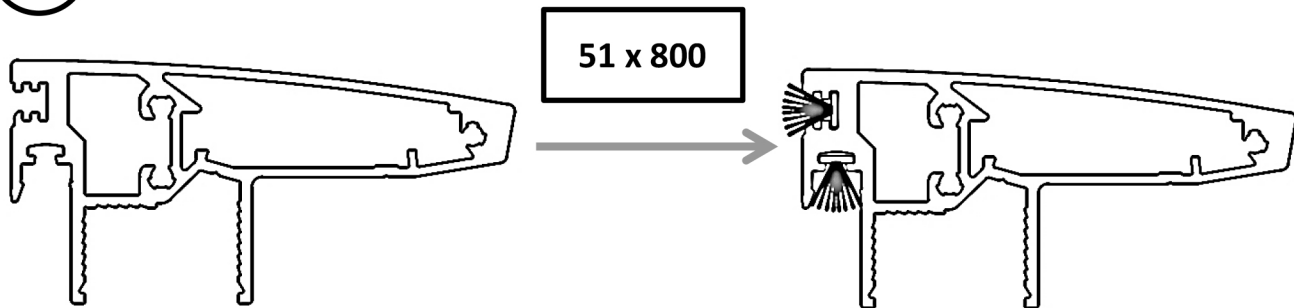
9



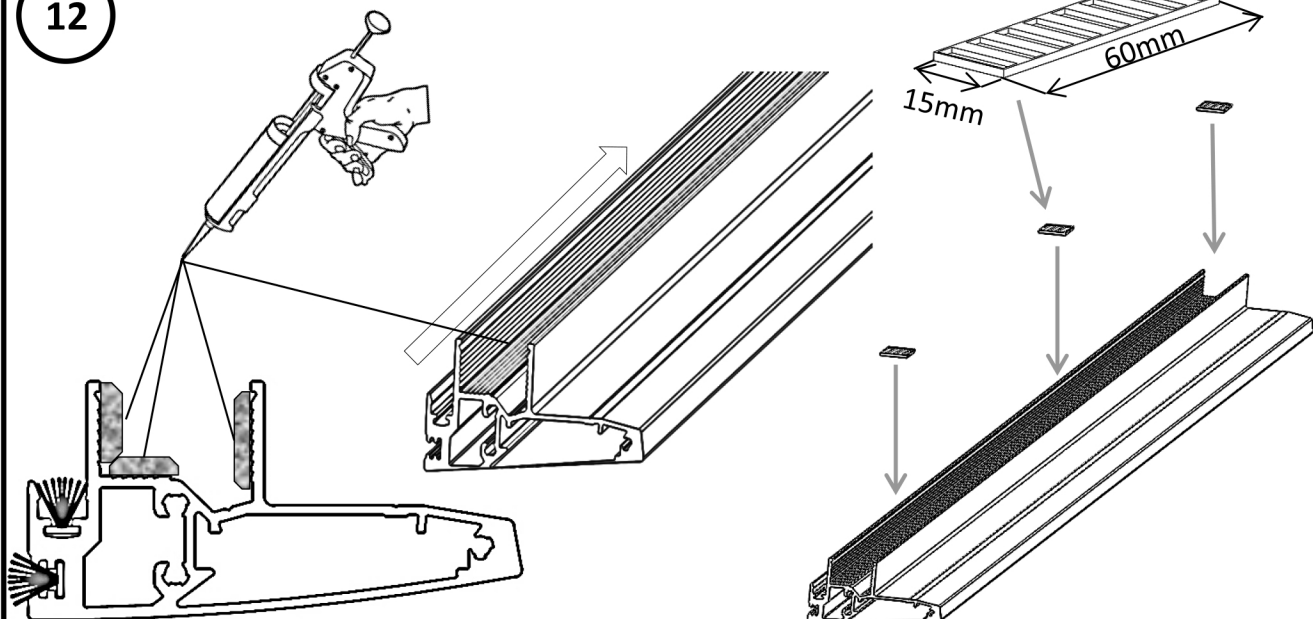
10



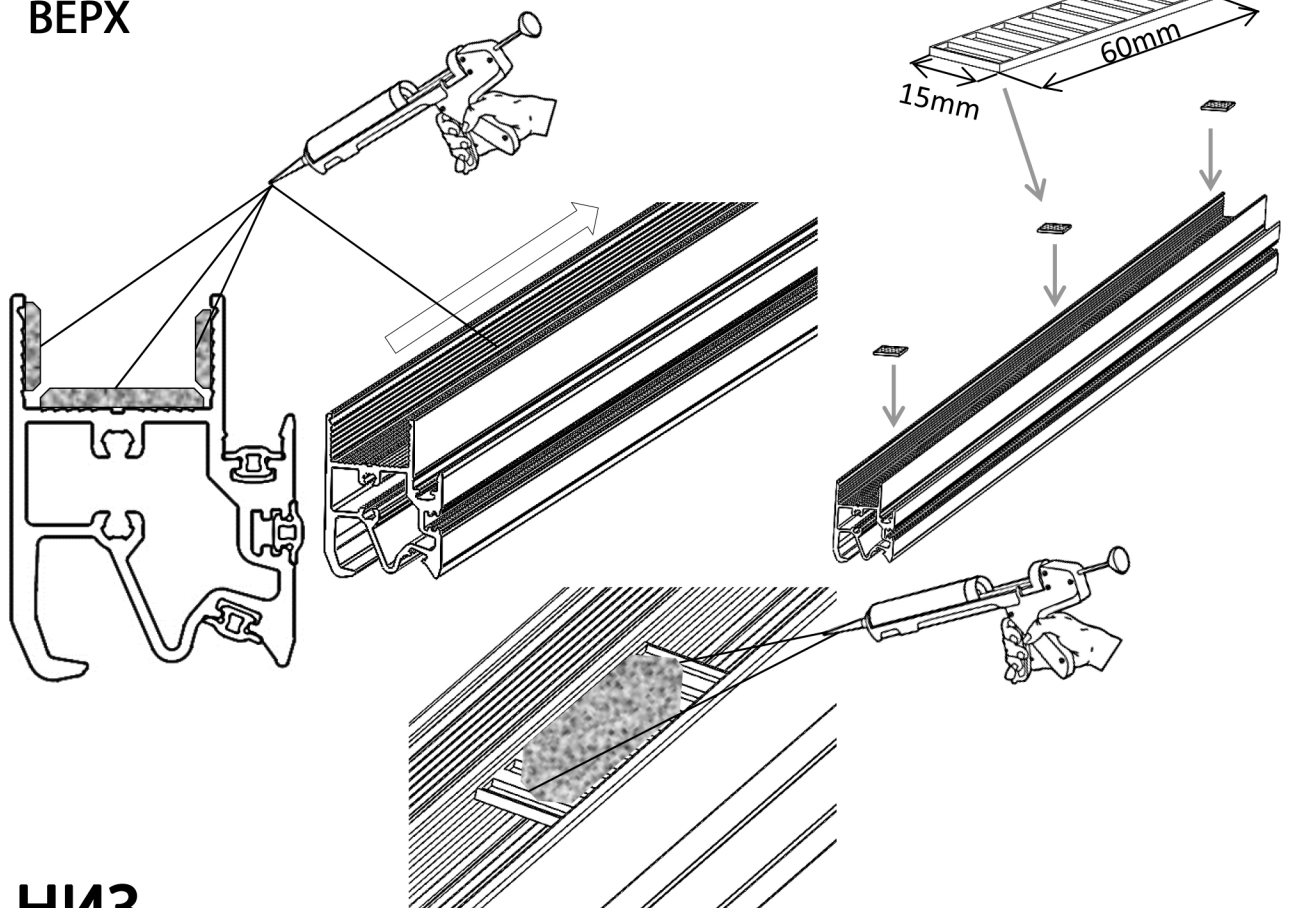
11



12

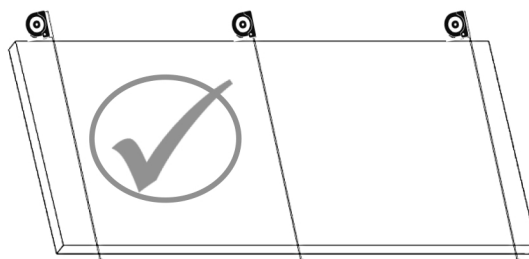
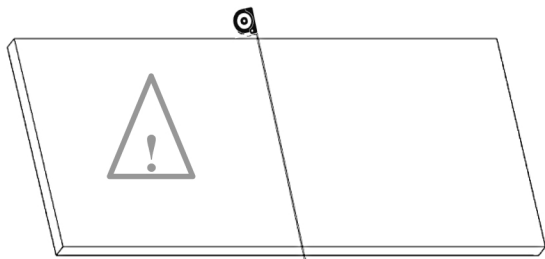


БЕРХ

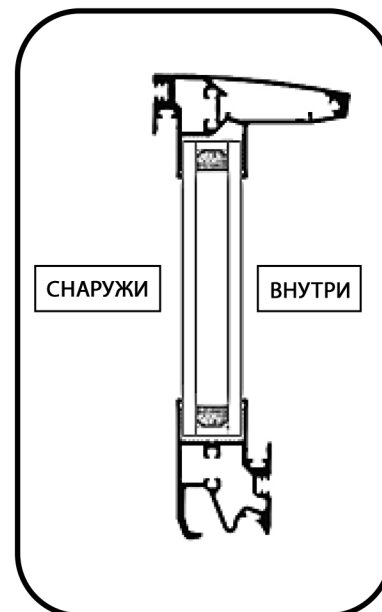
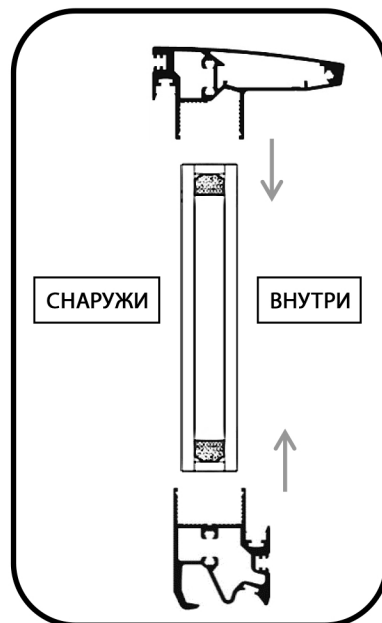
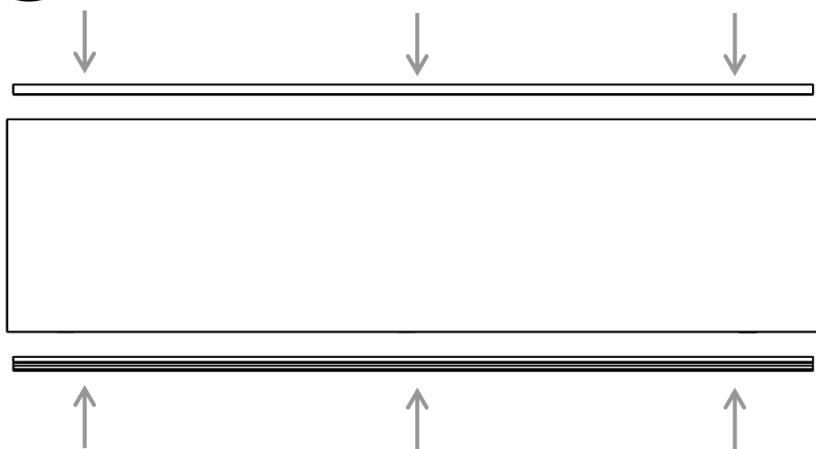


НИЗ

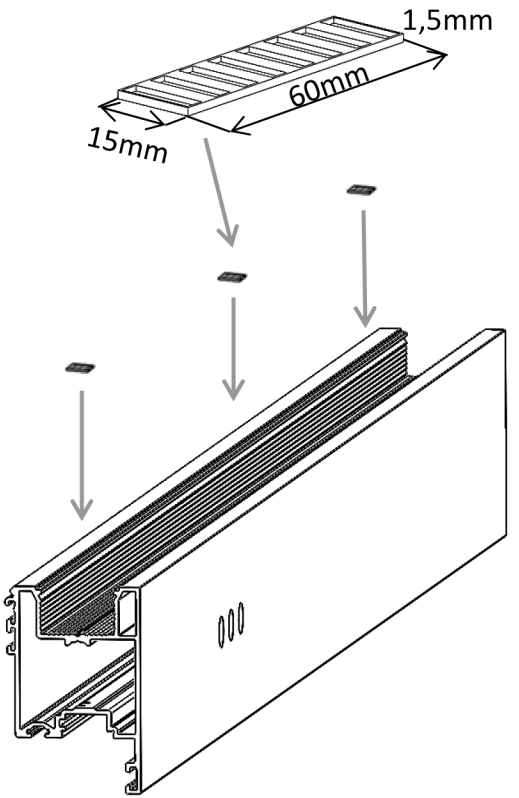
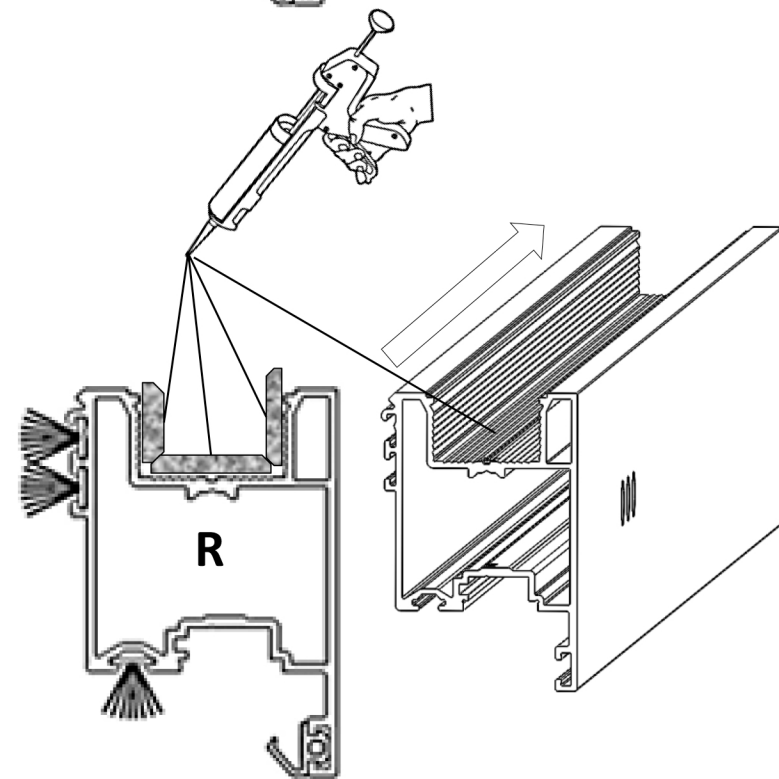
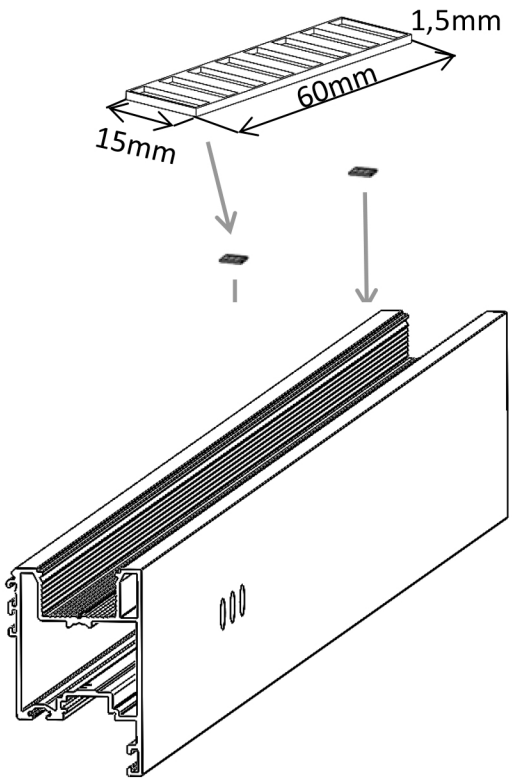
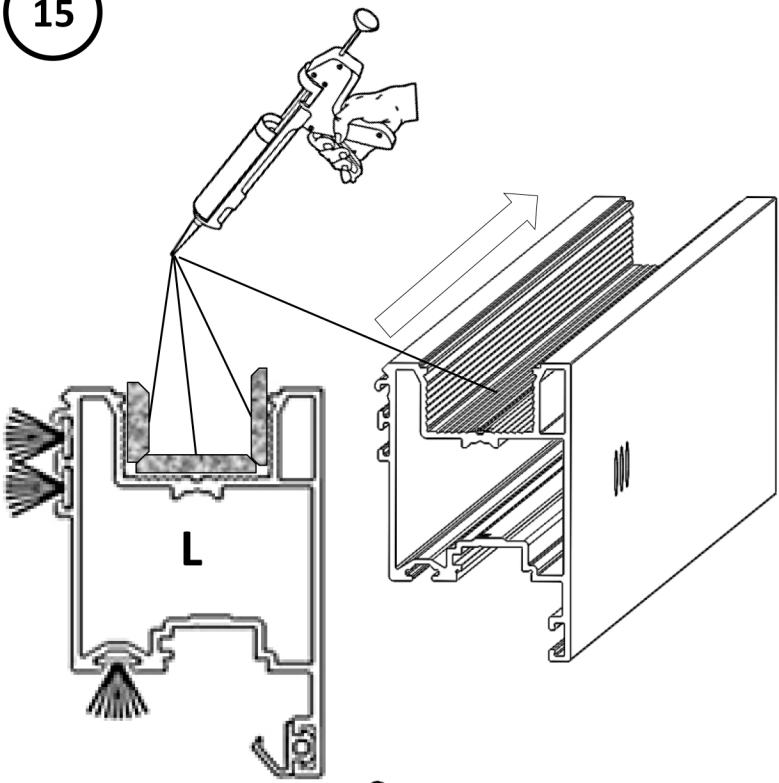
13



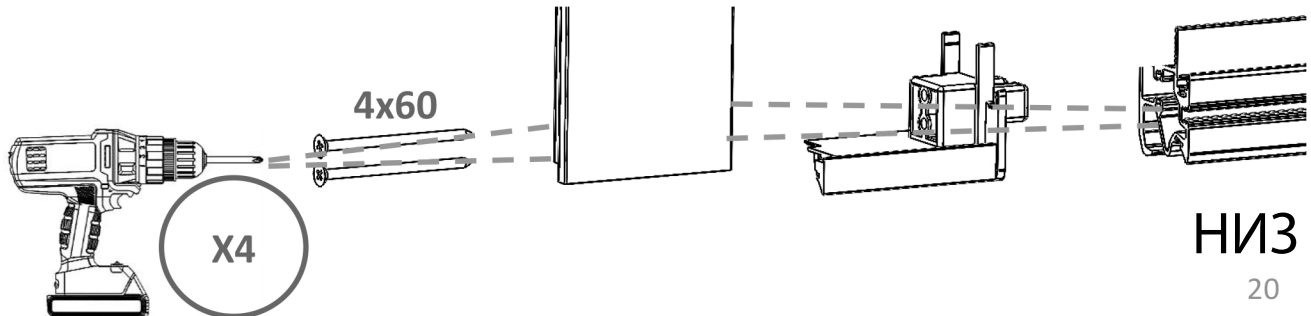
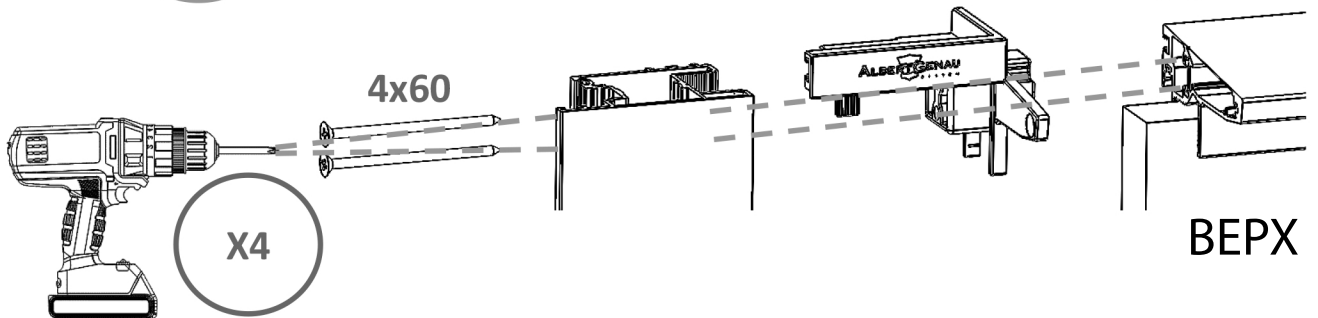
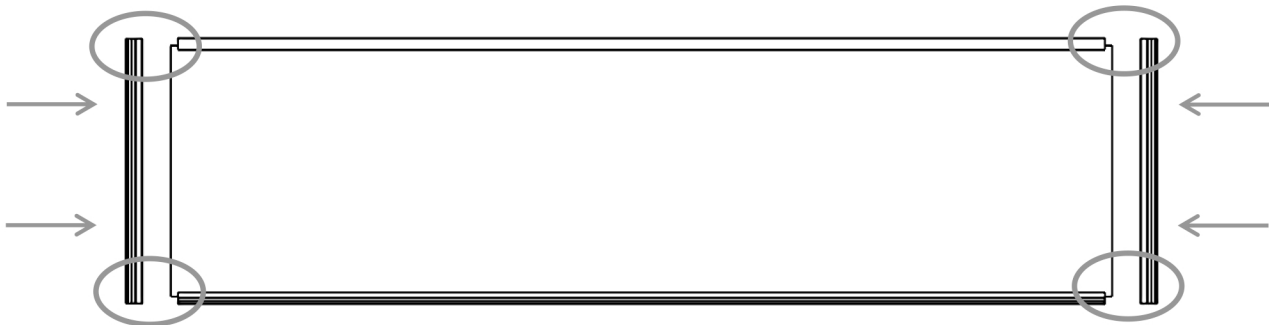
14



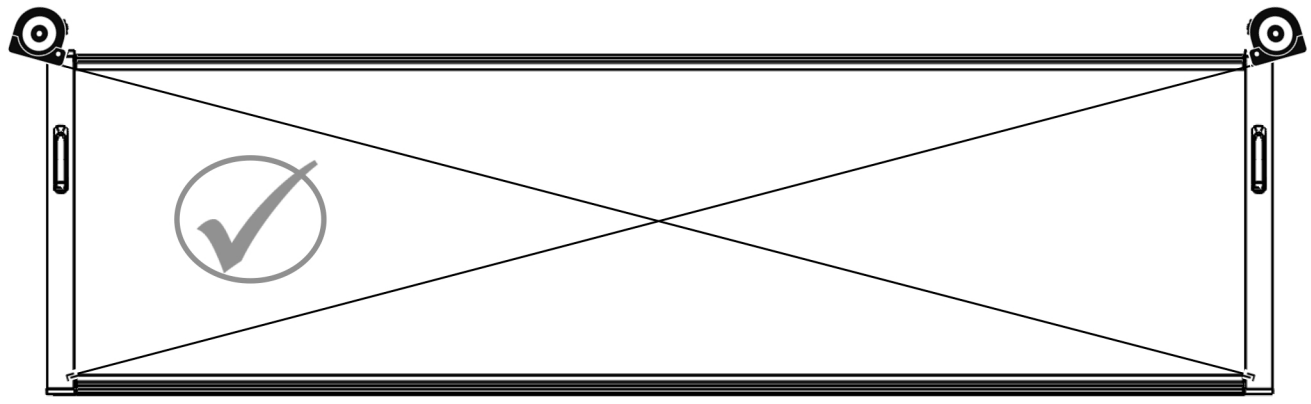
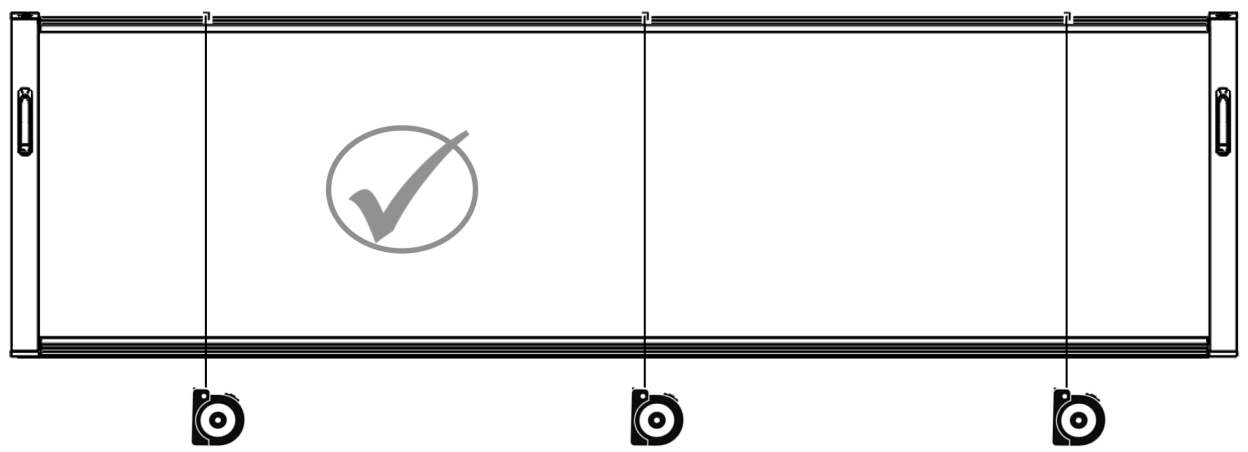
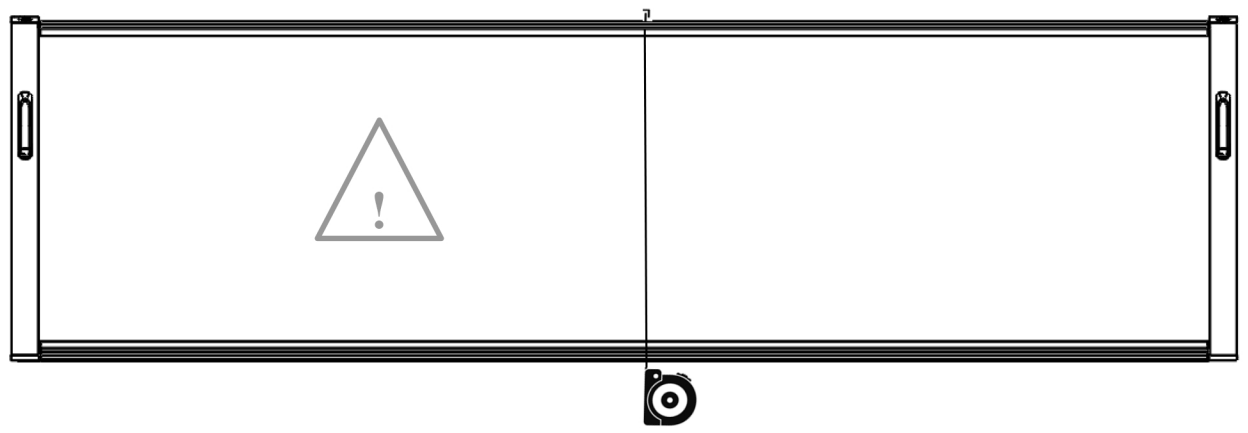
15

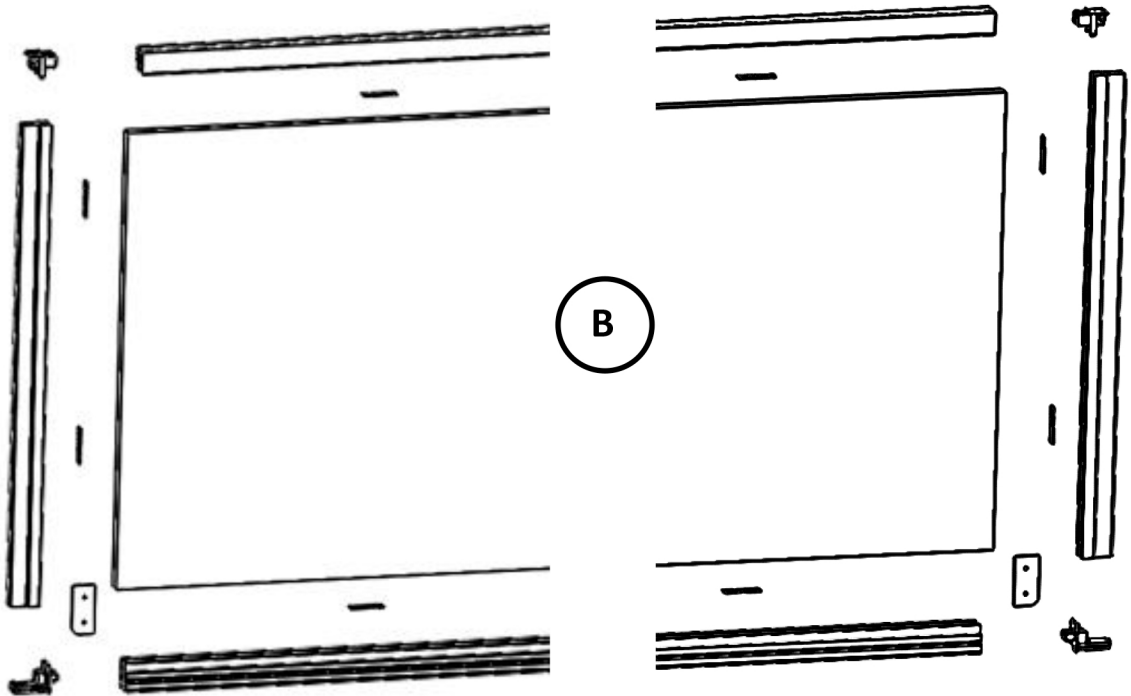
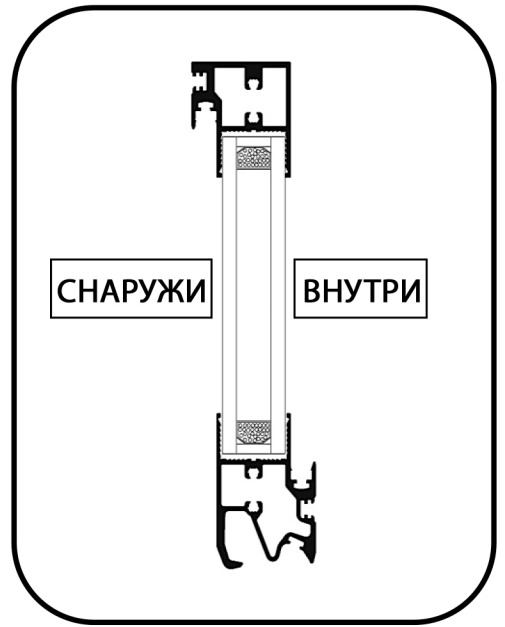
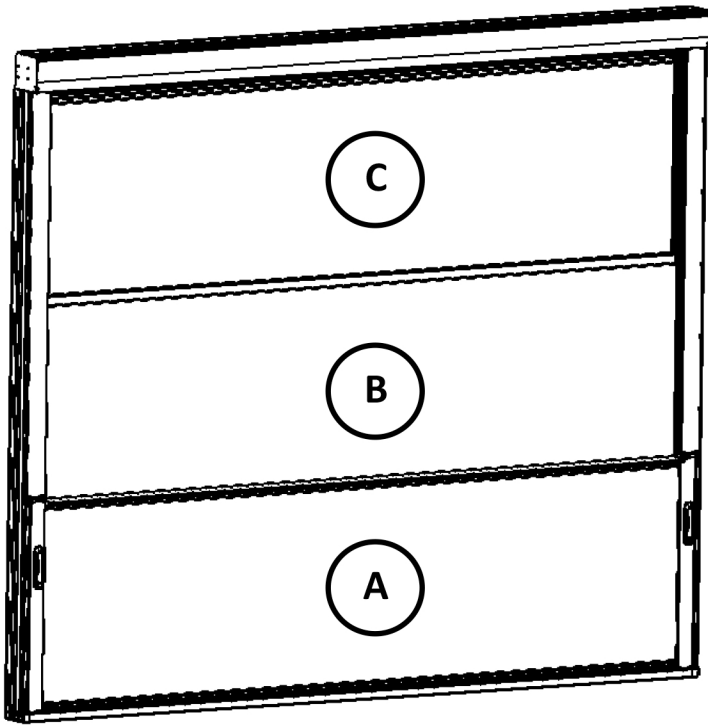


16

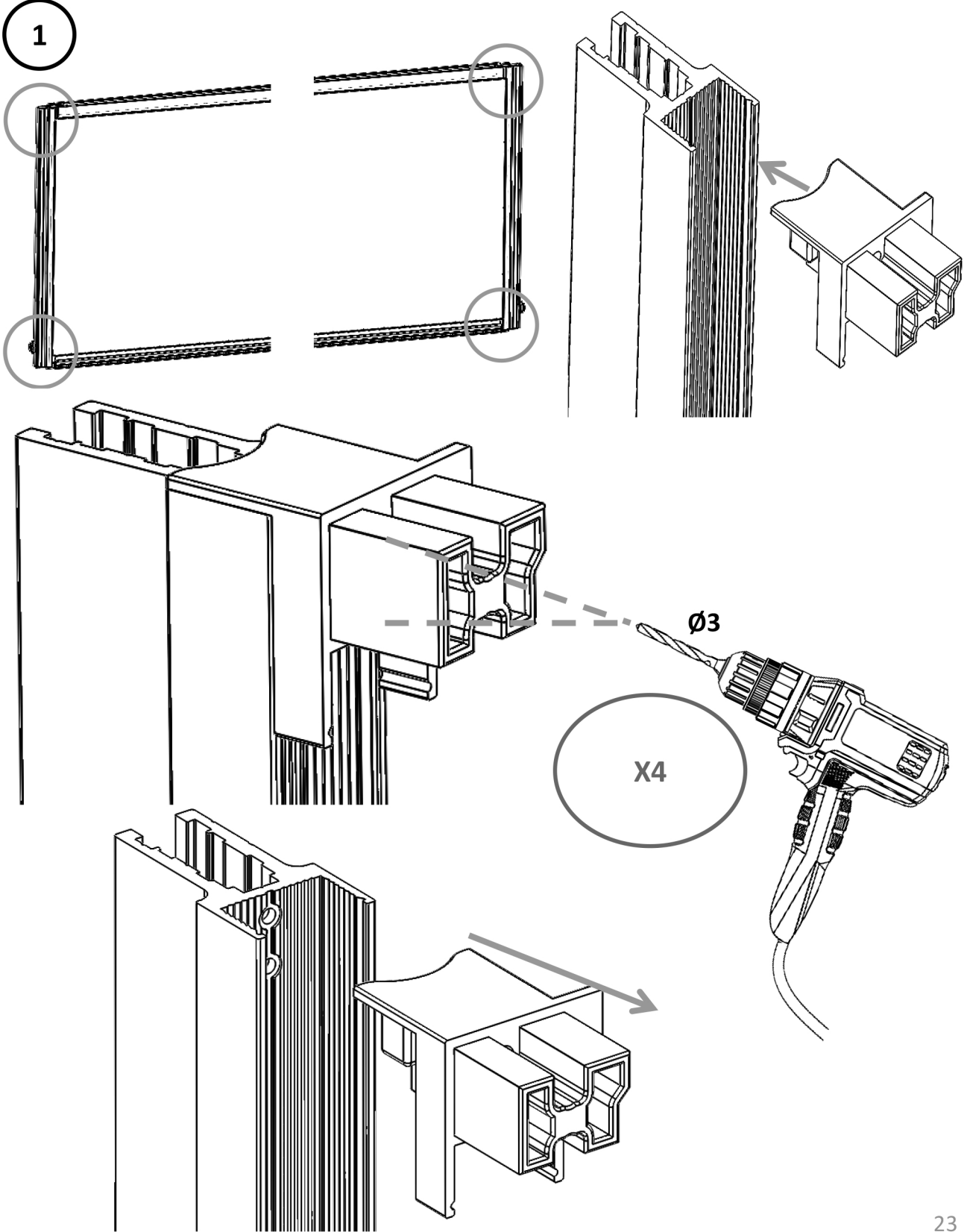


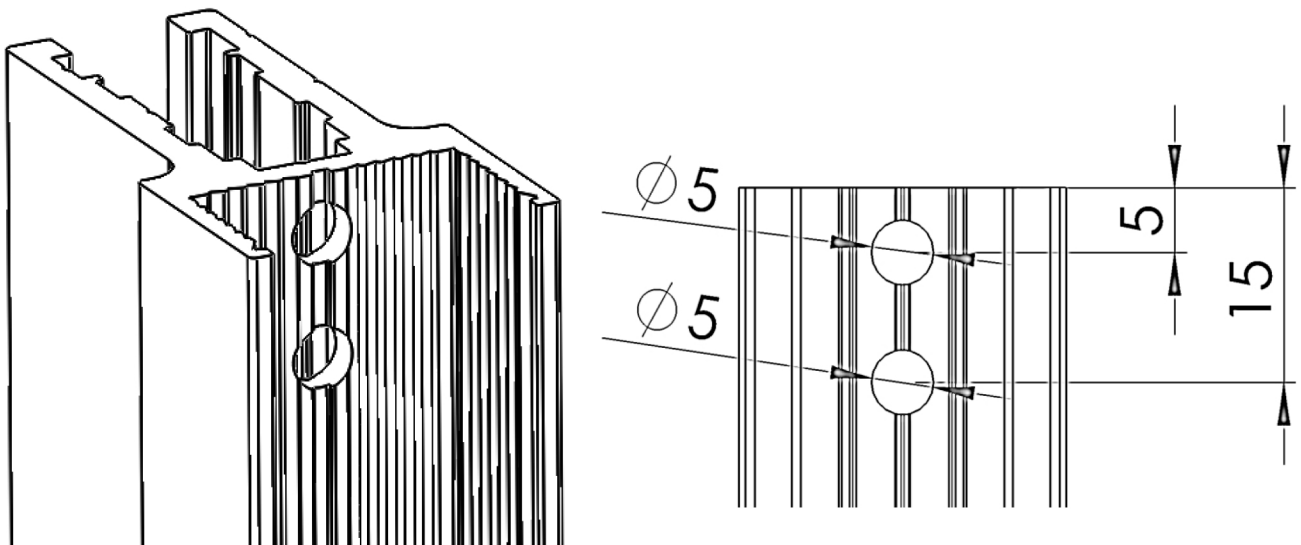
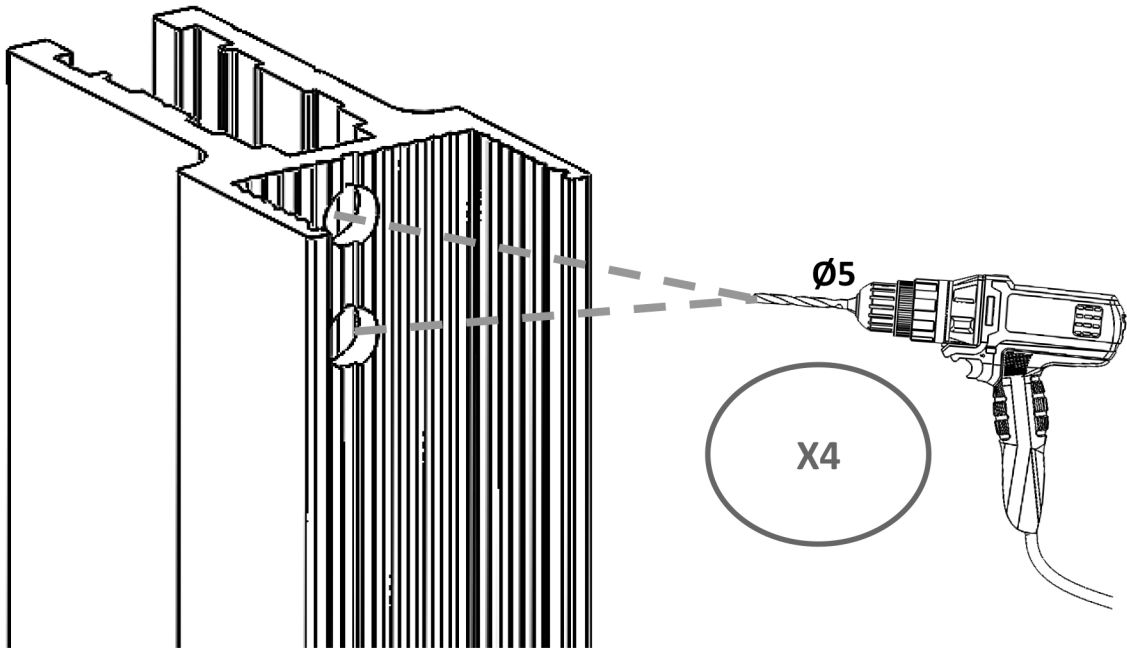
17



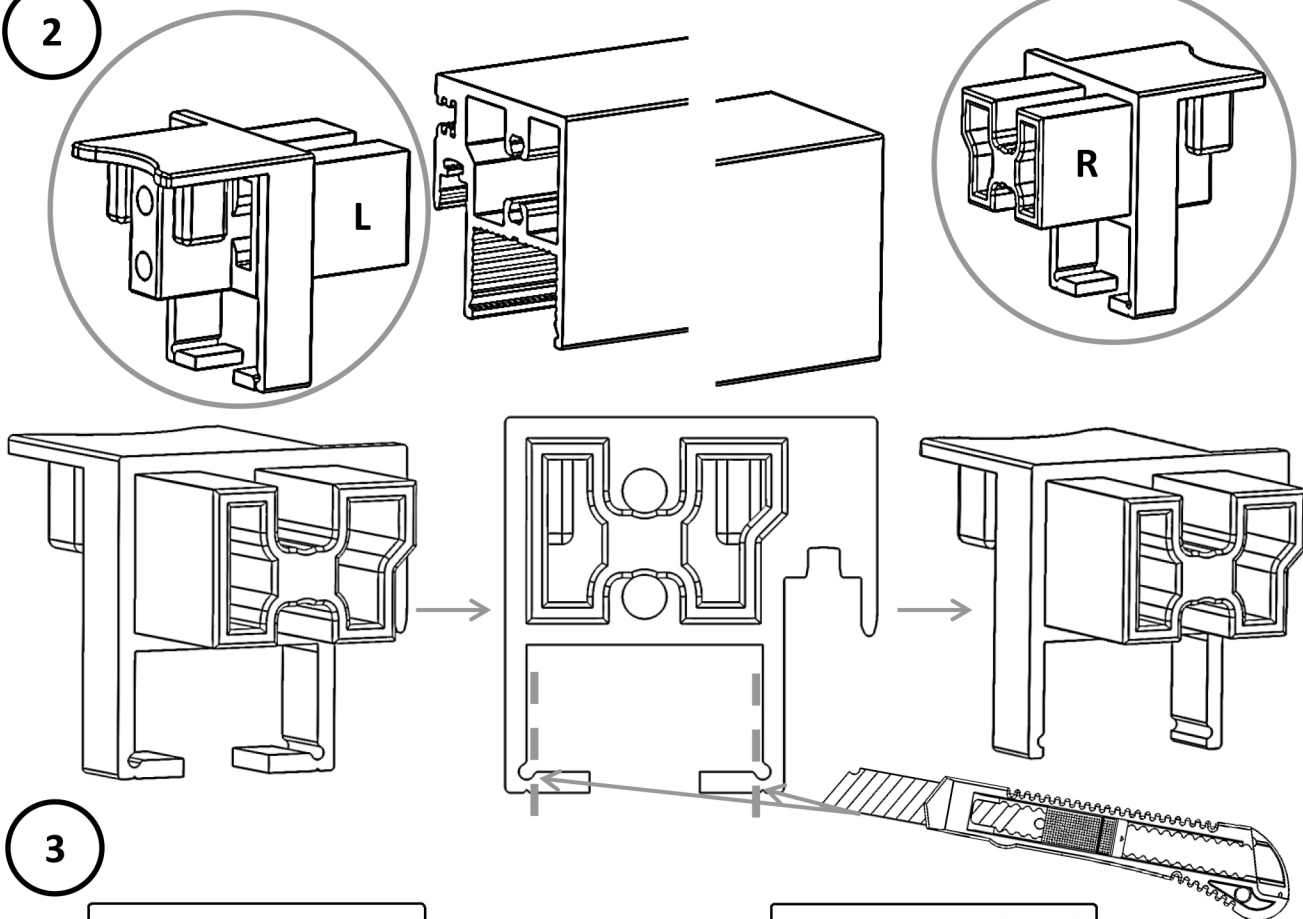


1

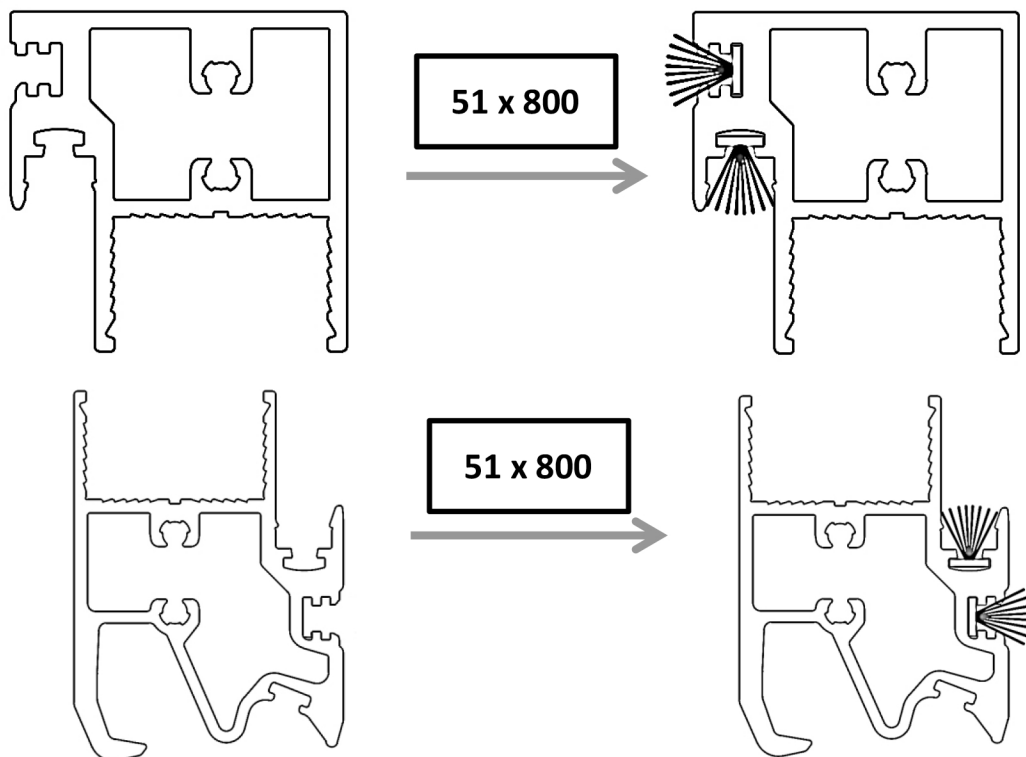




2

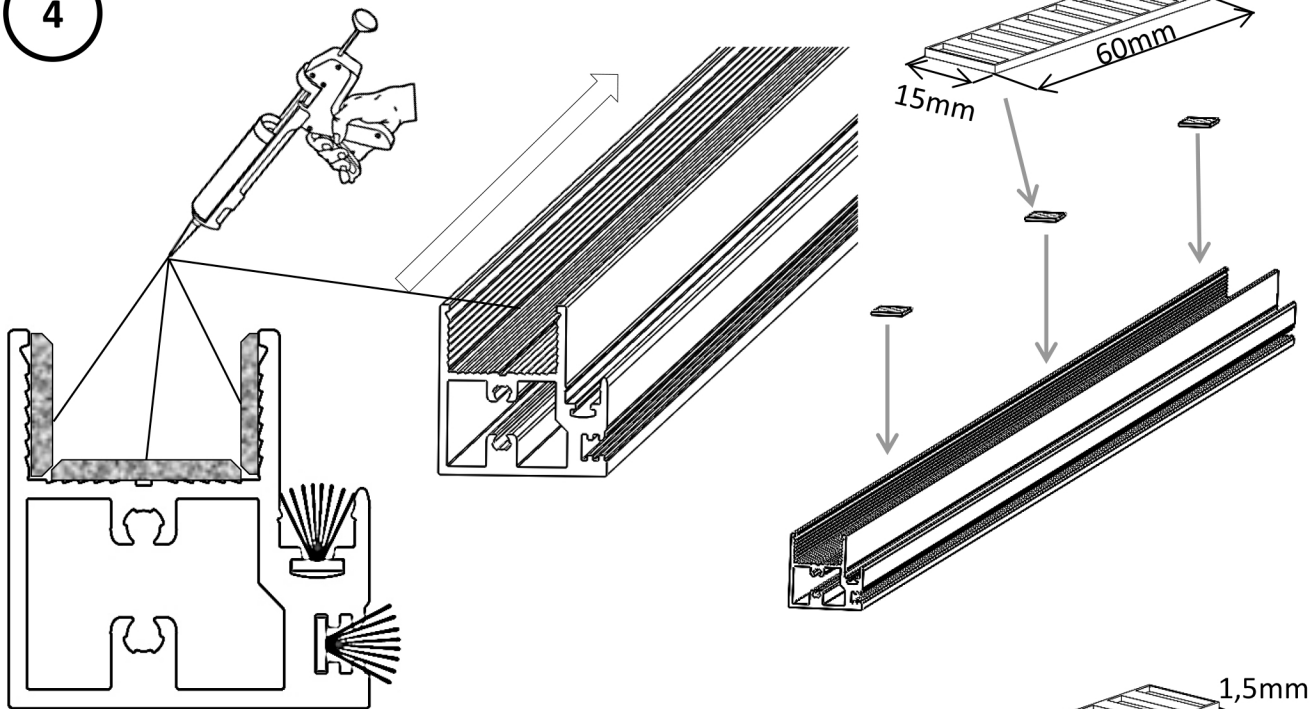


3

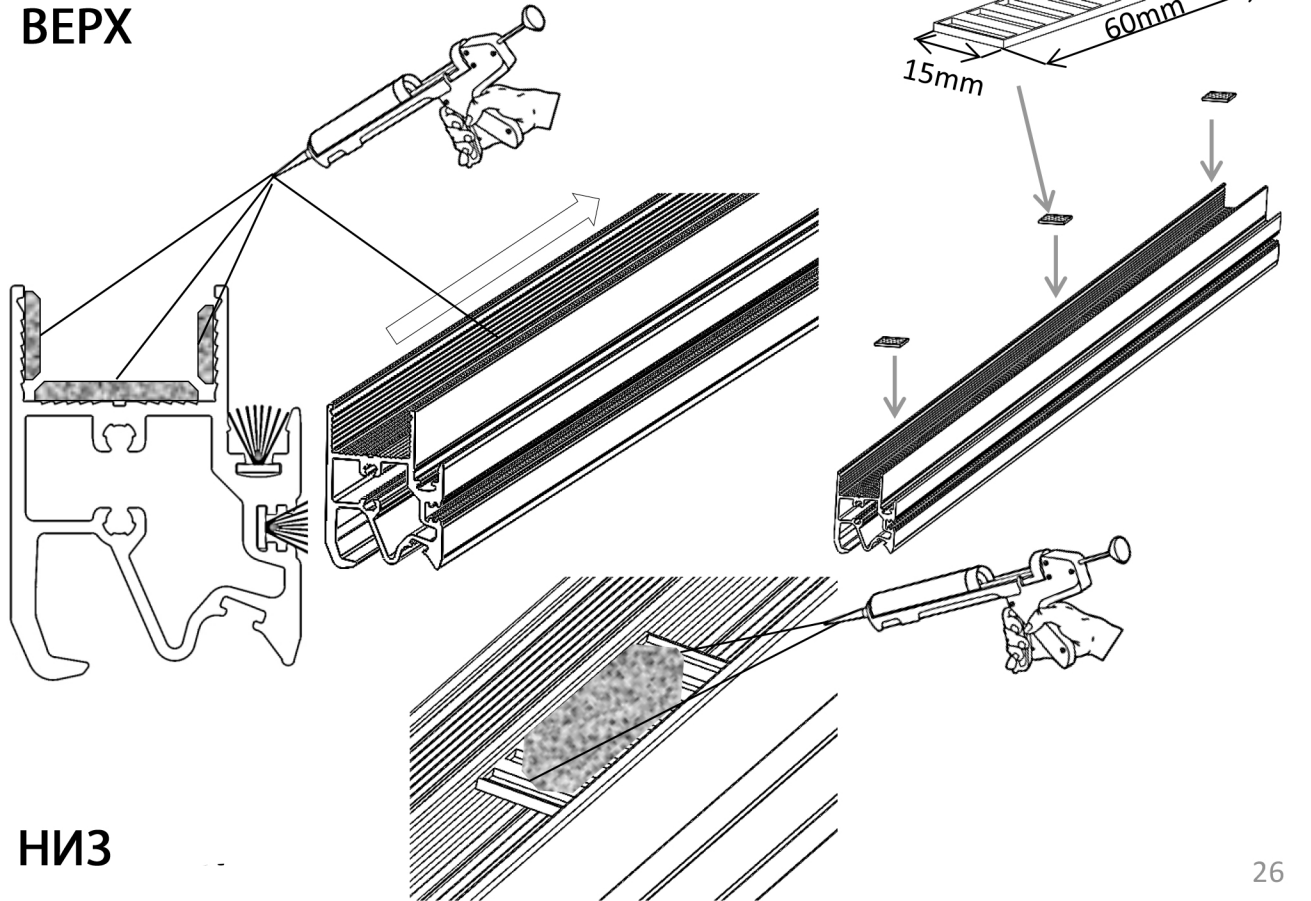


B

4

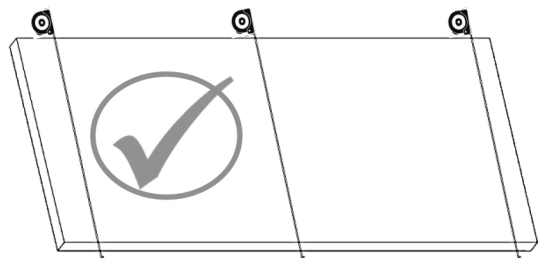
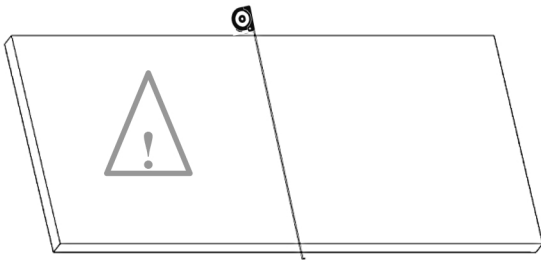


БЕРХ

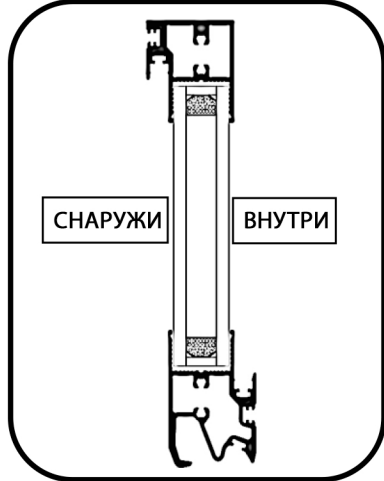
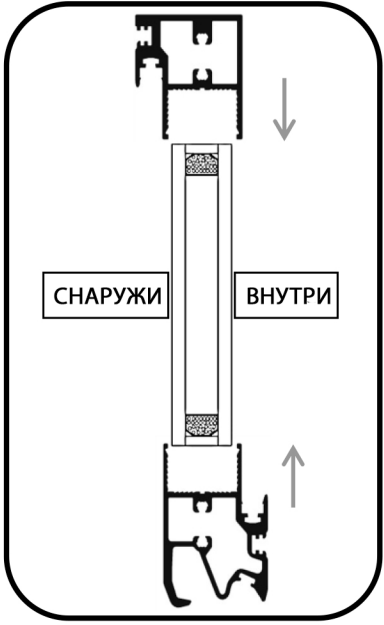
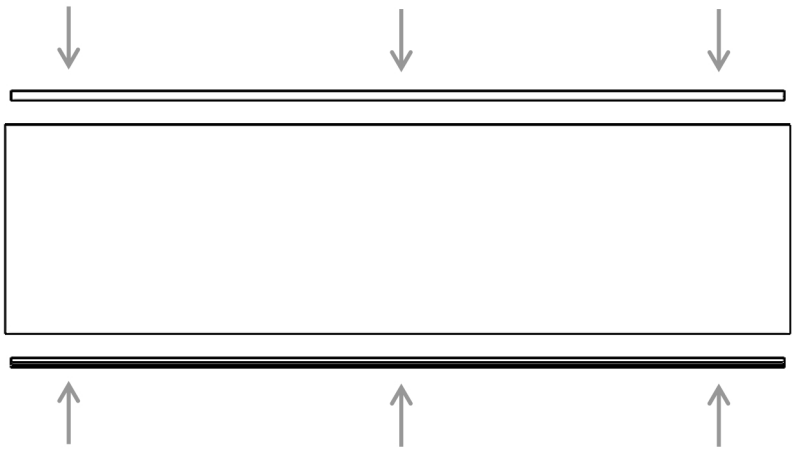


НИЗ

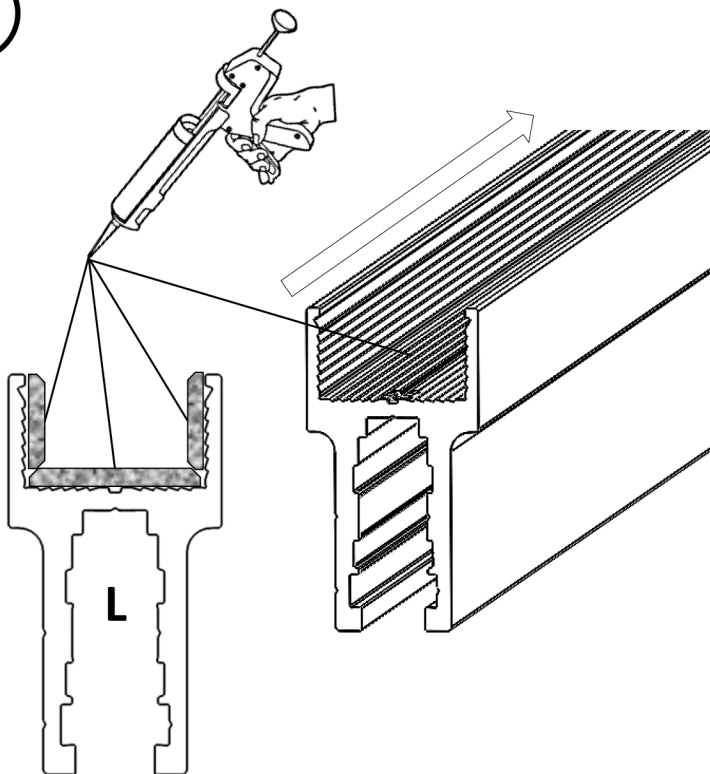
5



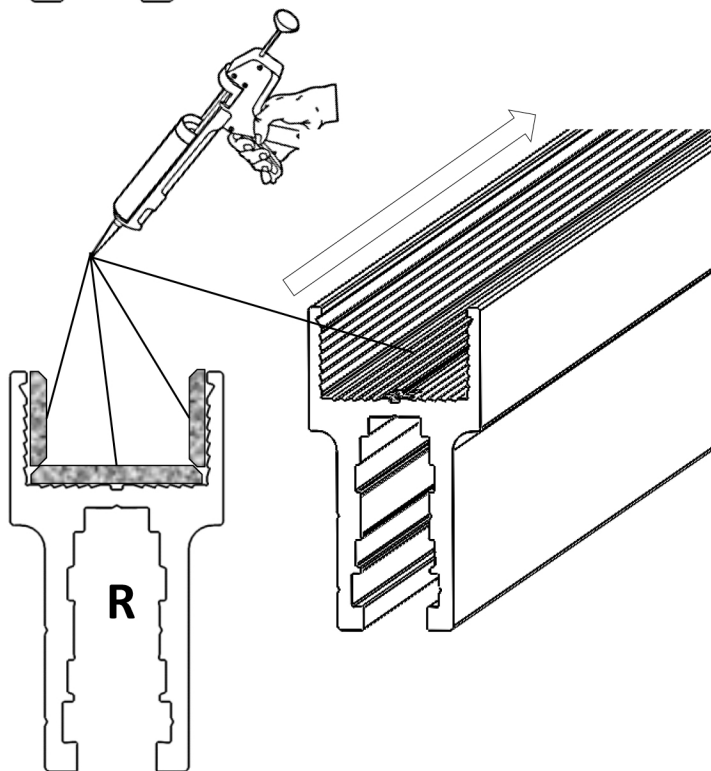
6



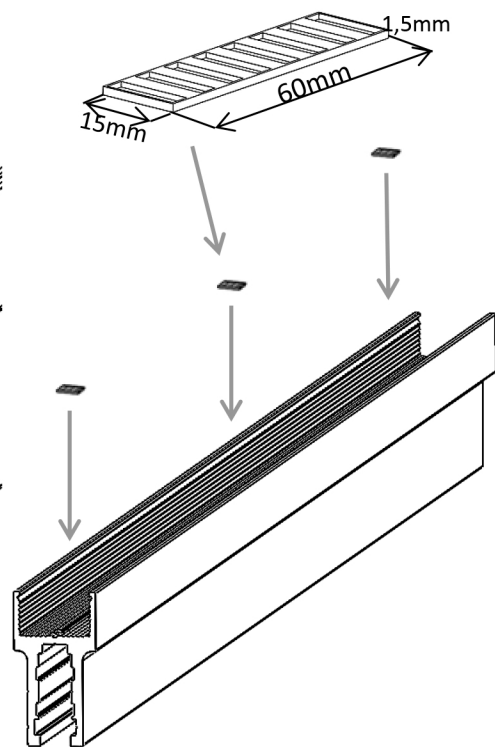
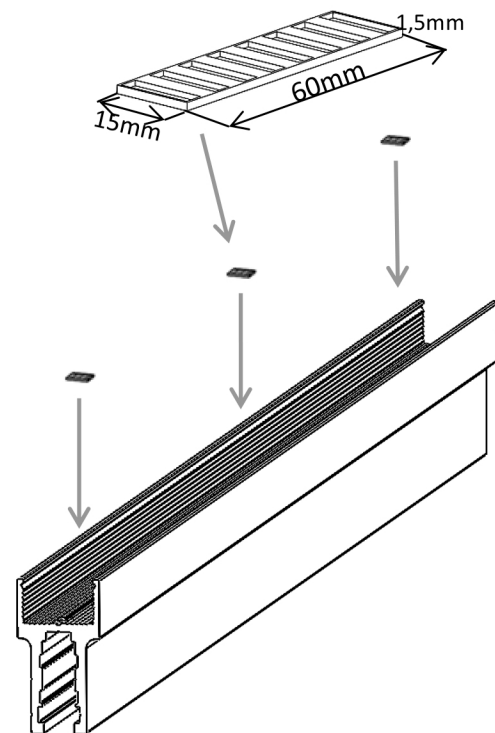
7



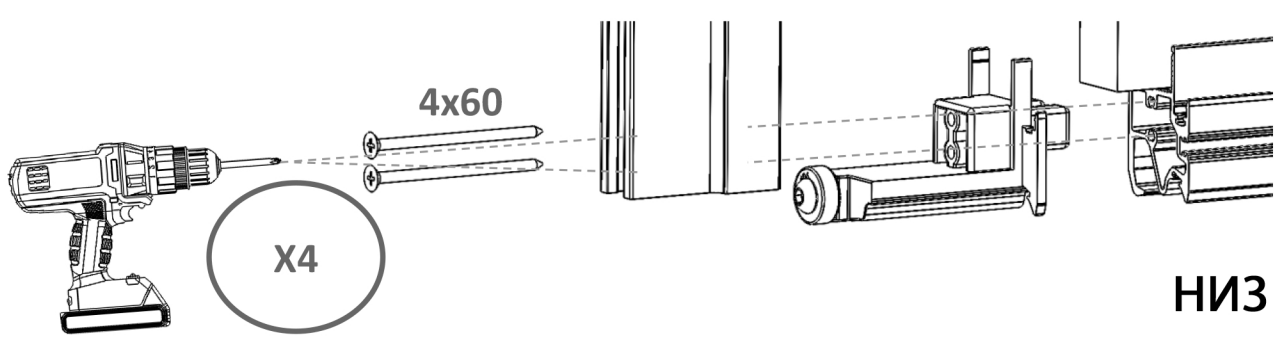
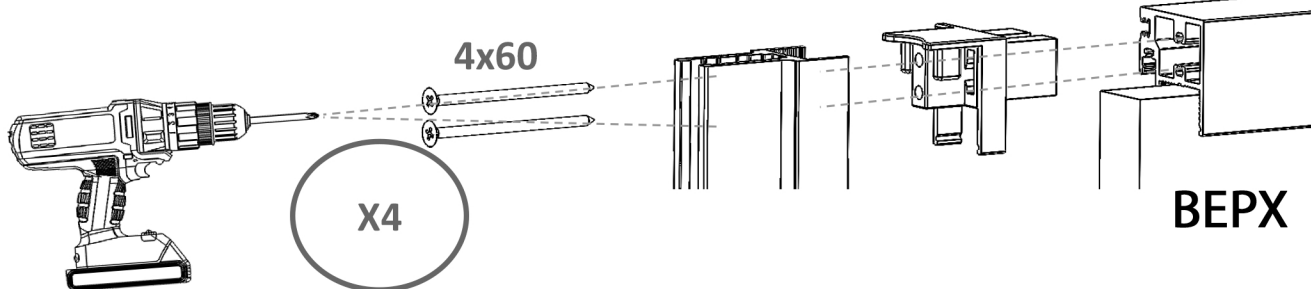
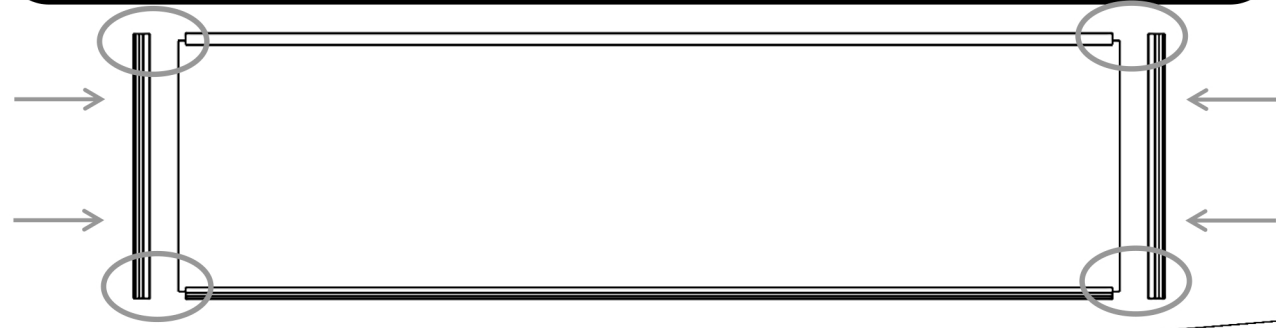
L



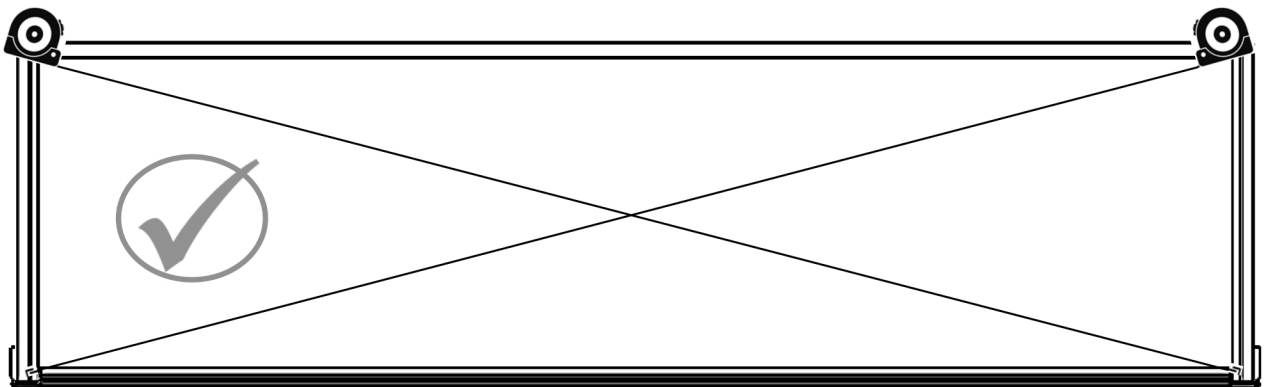
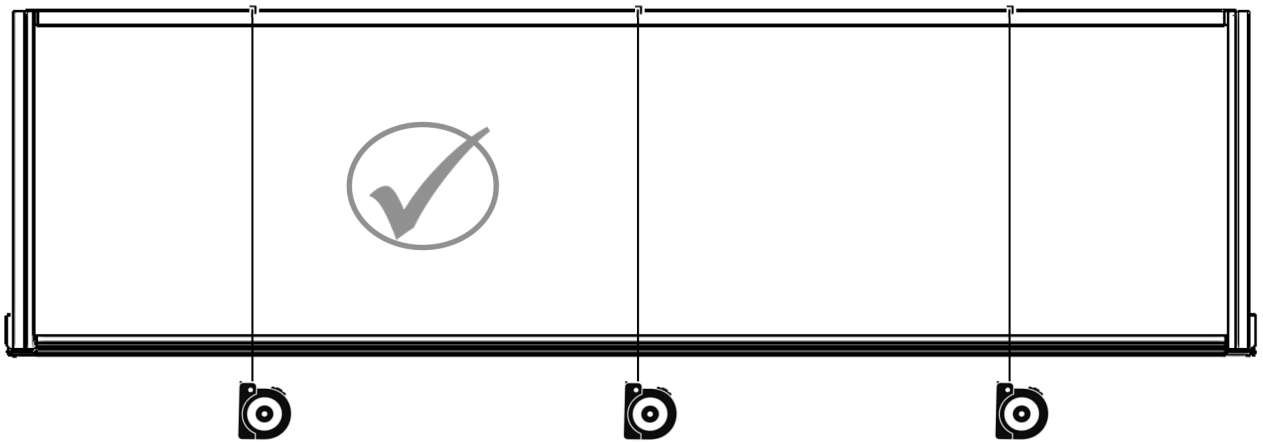
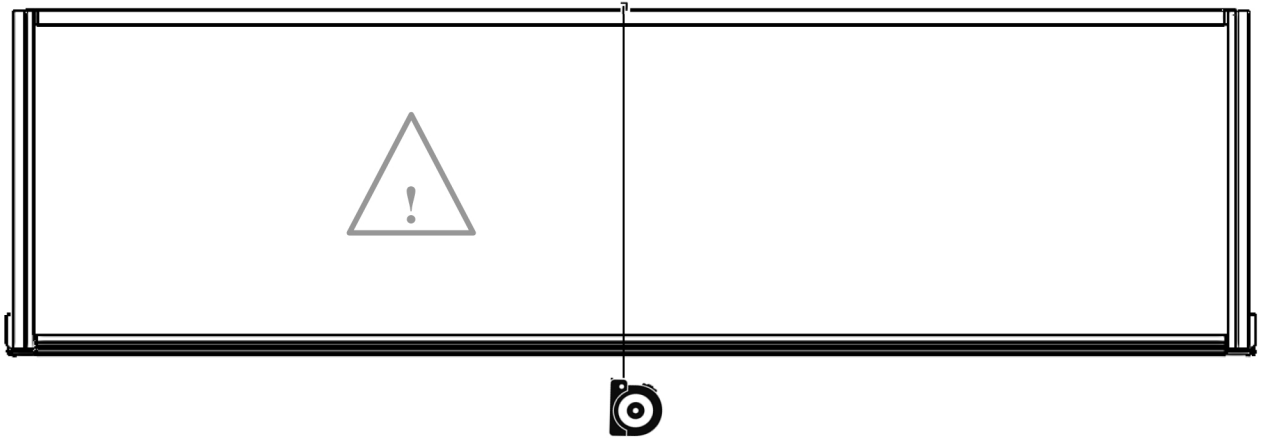
R

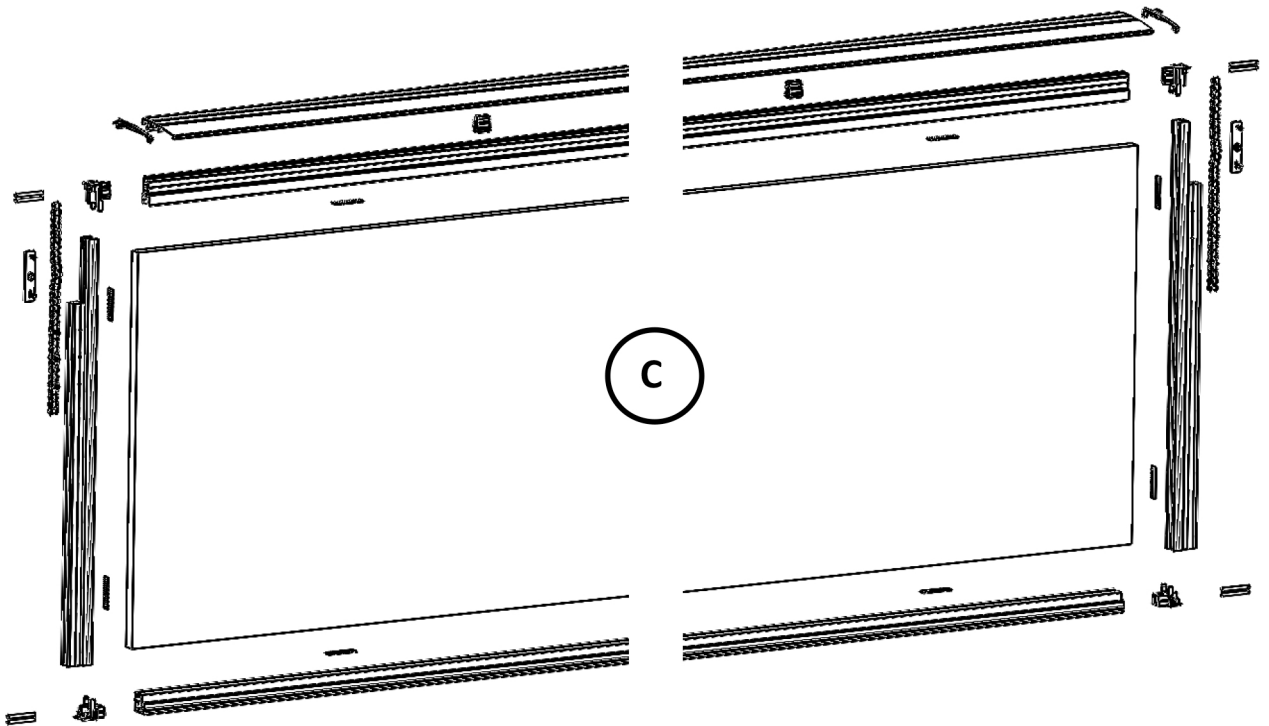
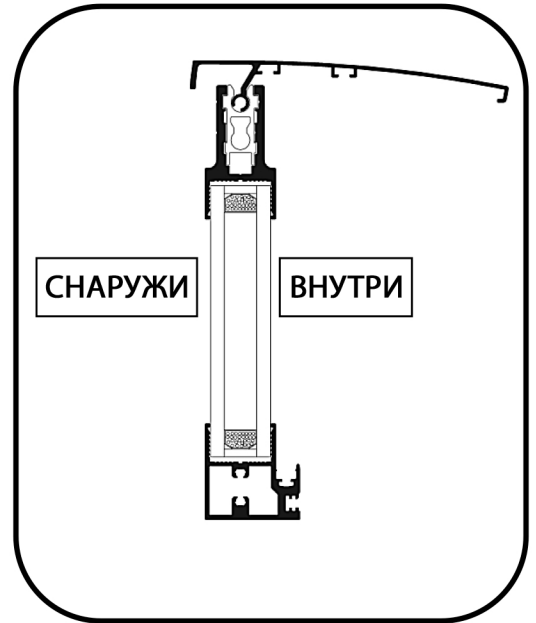
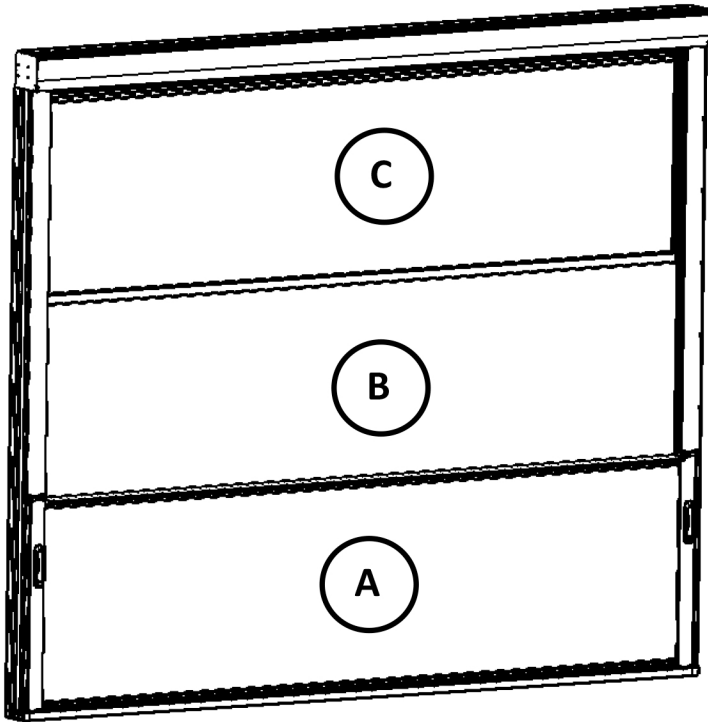


8

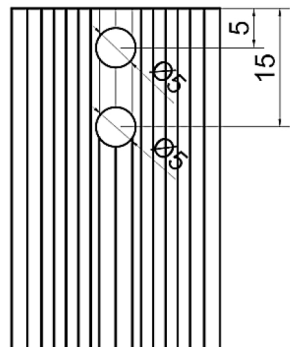
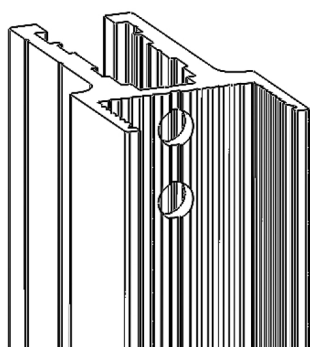
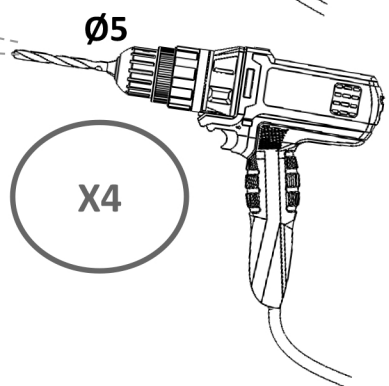
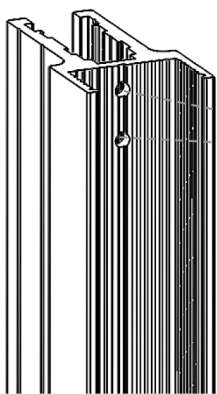
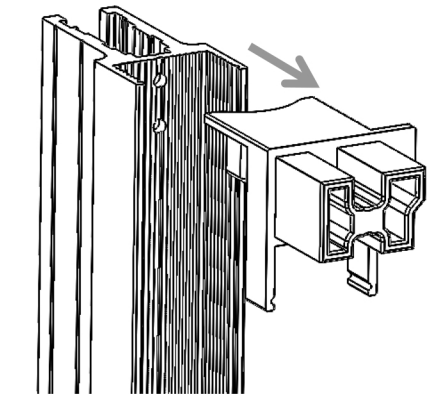
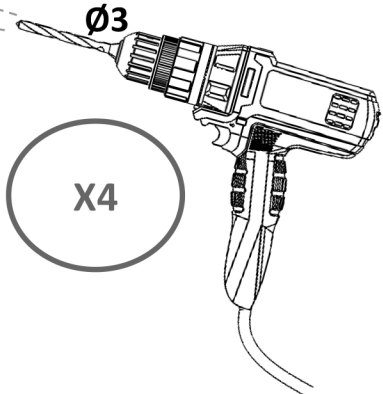
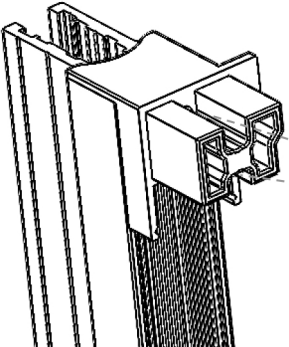
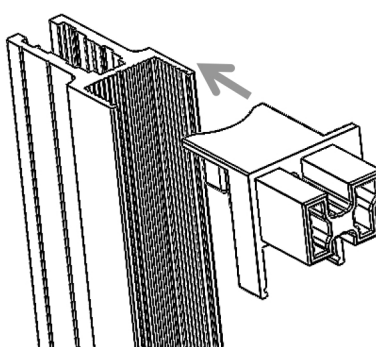
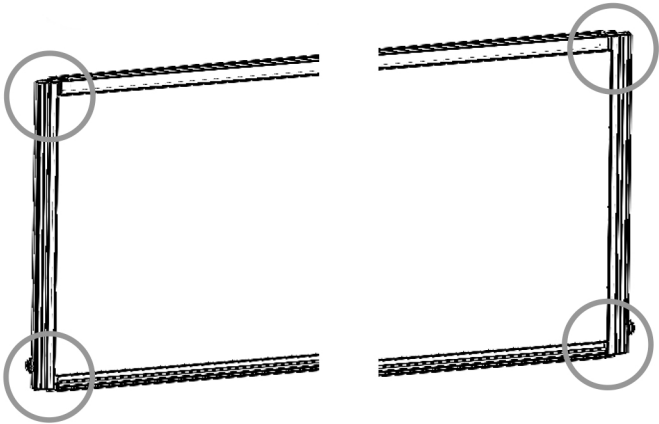


9

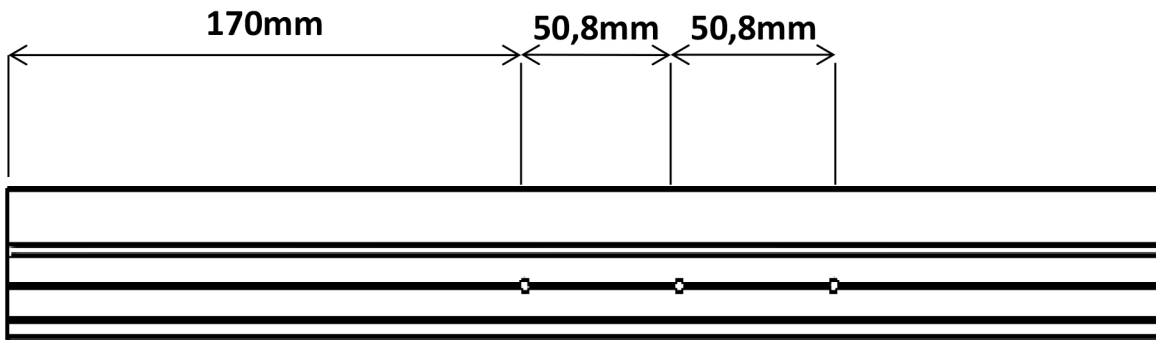
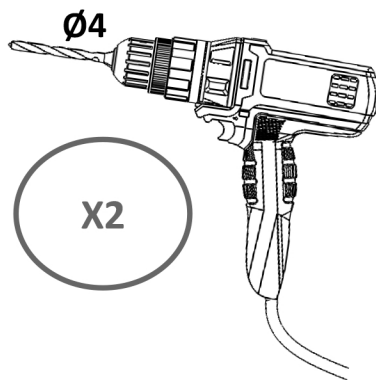
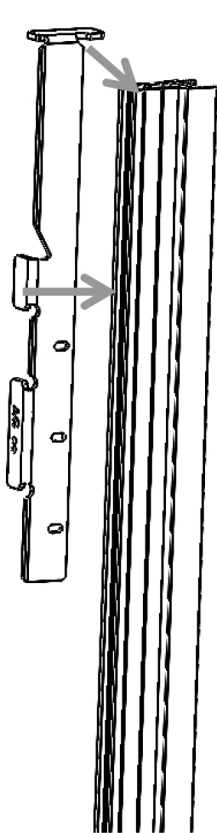
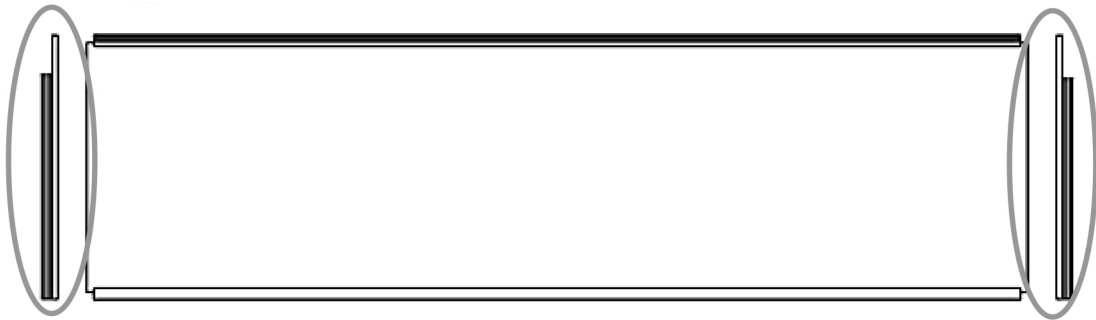




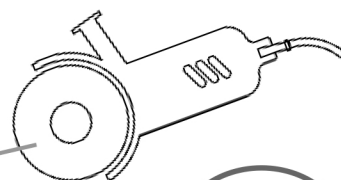
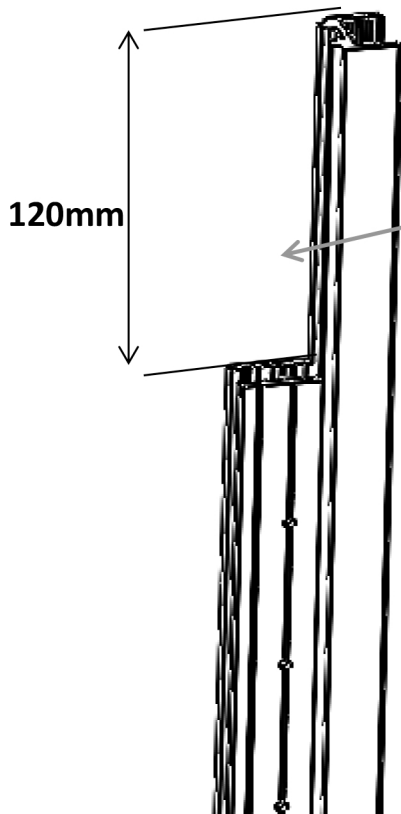
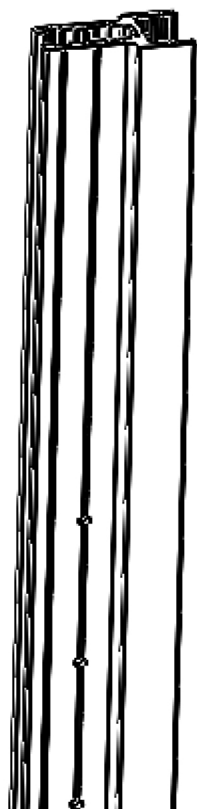
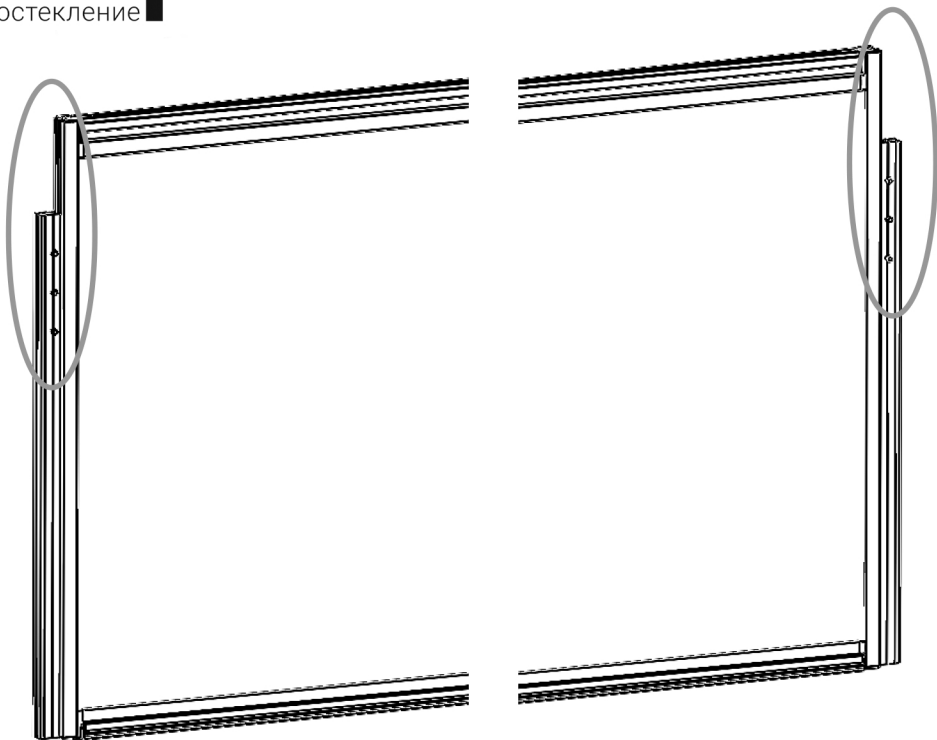
1



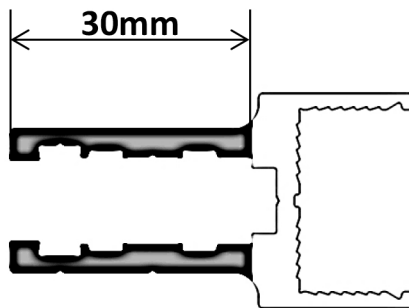
2



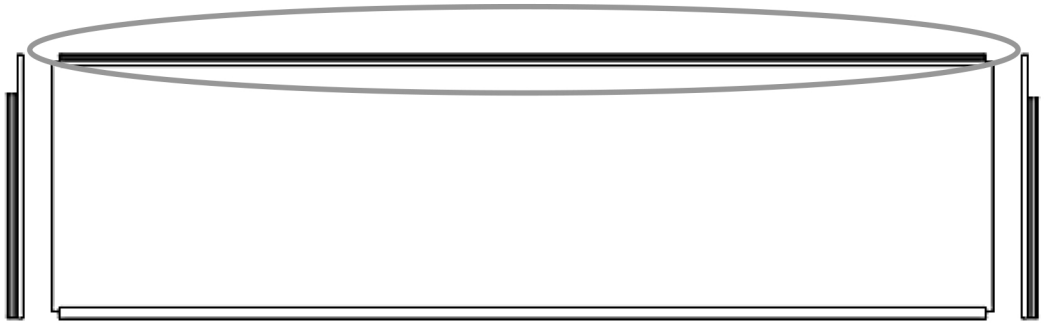
3



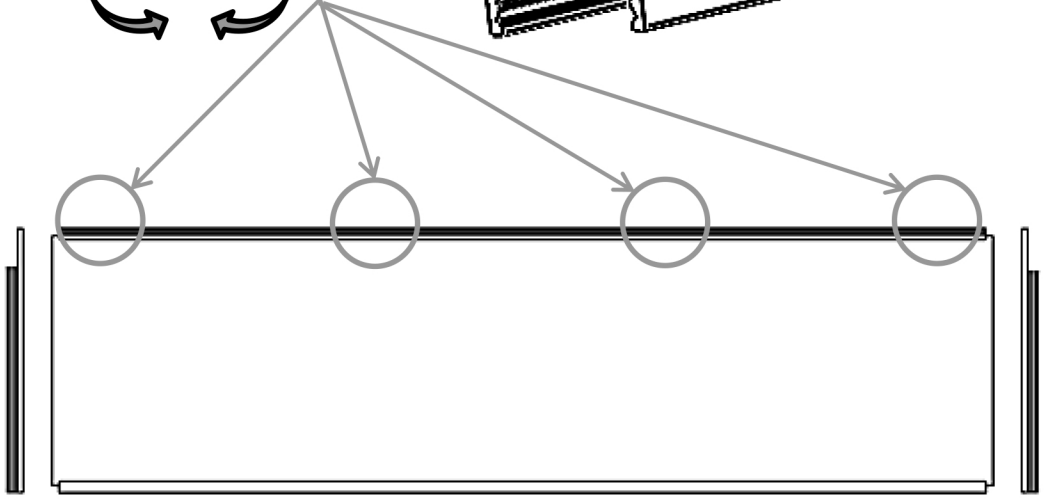
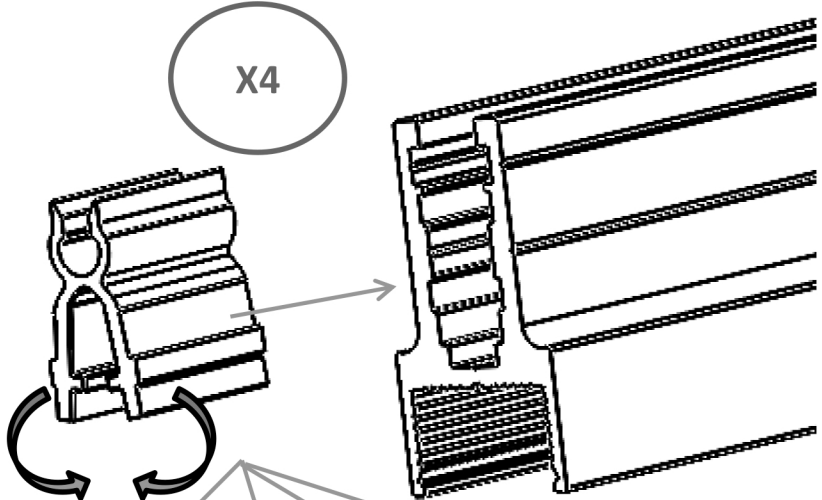
X2



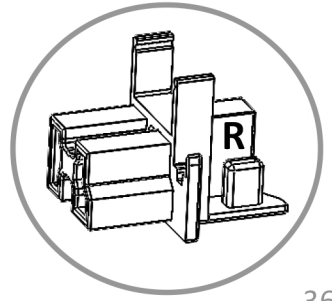
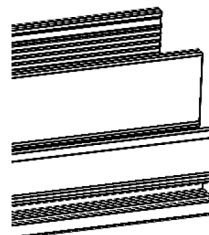
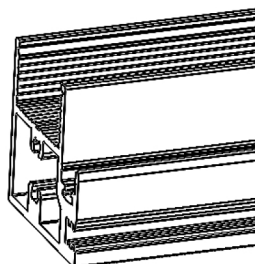
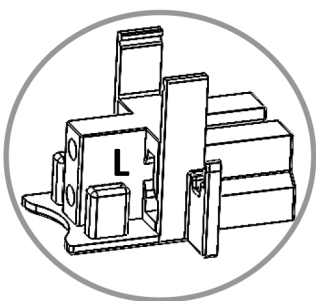
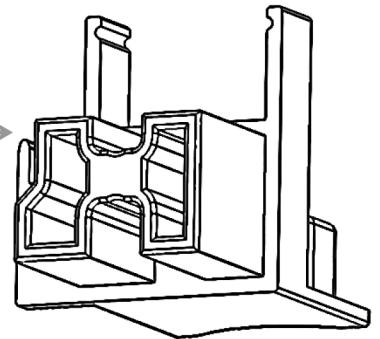
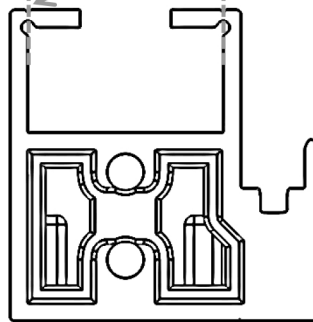
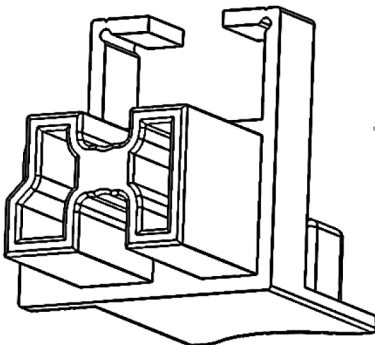
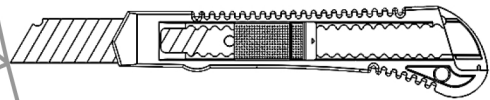
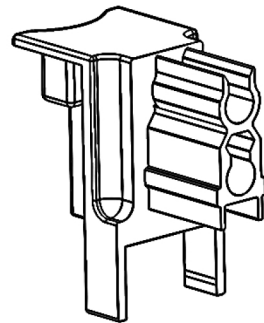
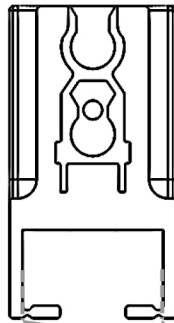
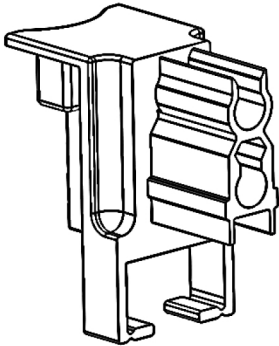
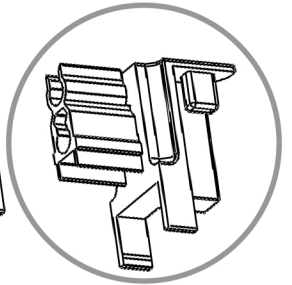
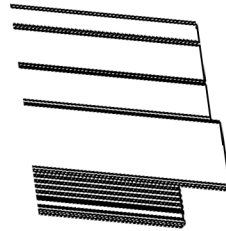
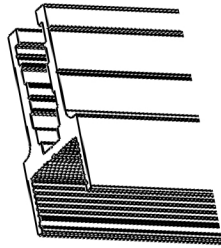
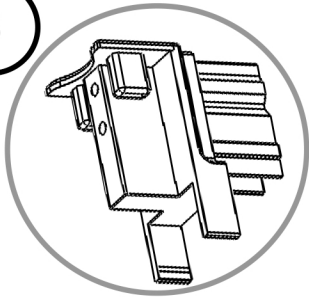
4



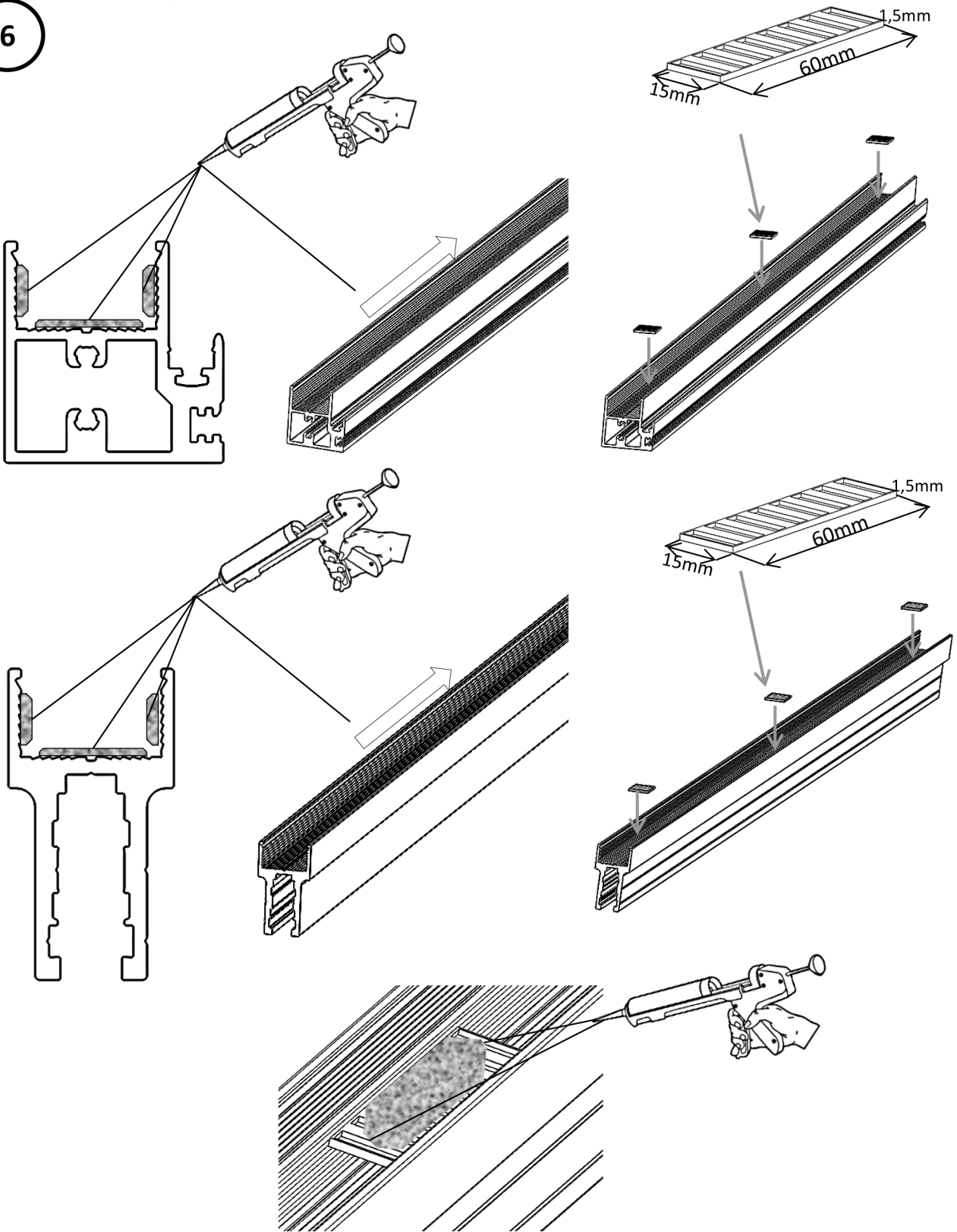
X4



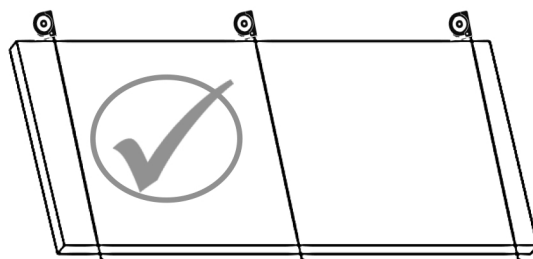
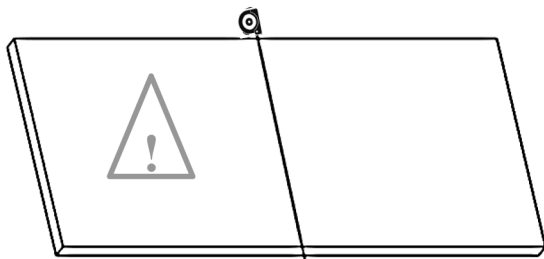
5



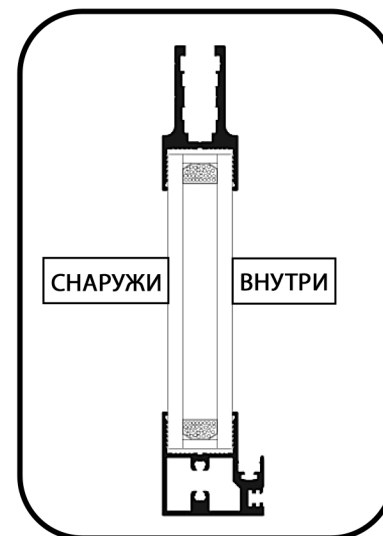
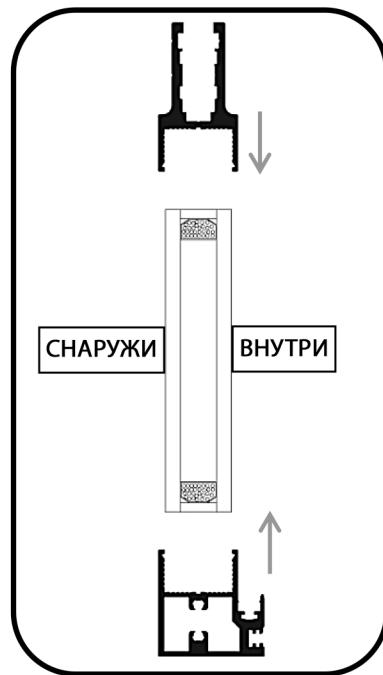
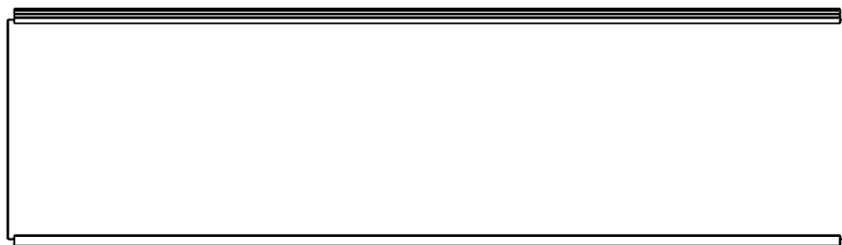
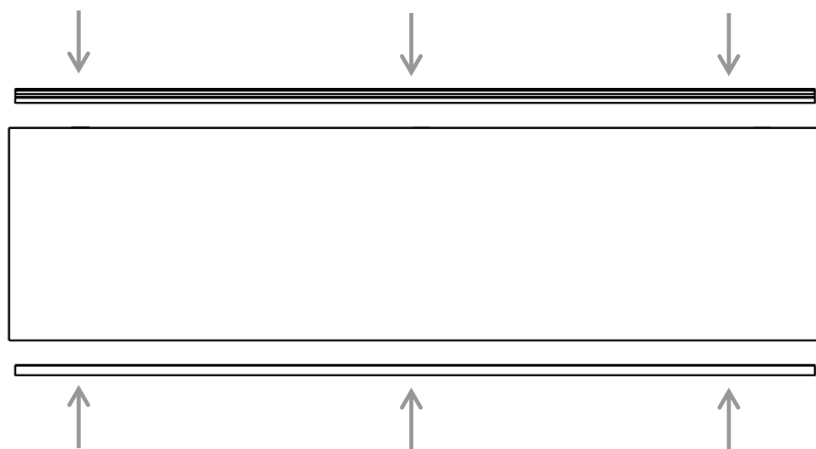
6



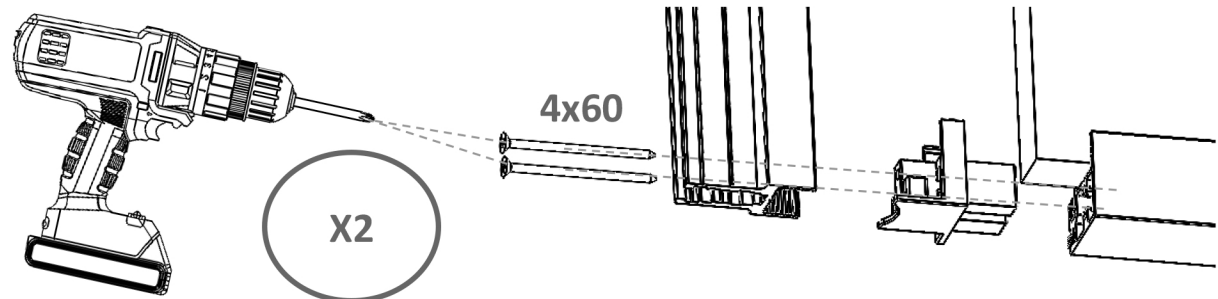
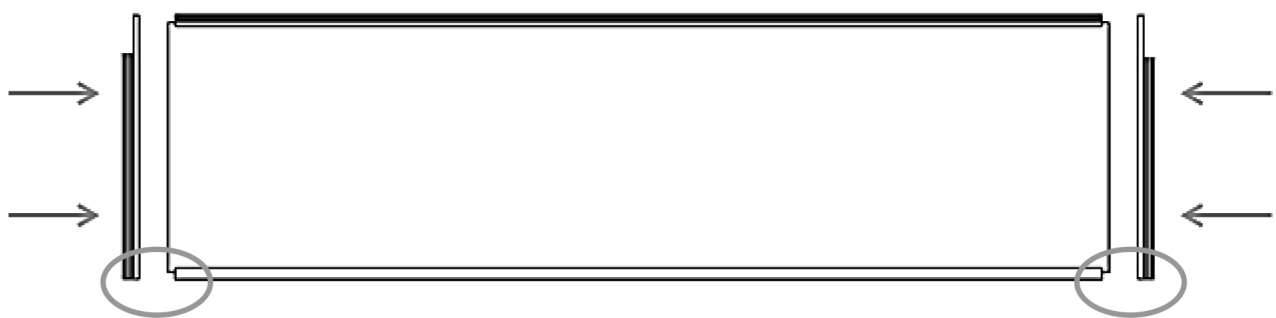
7



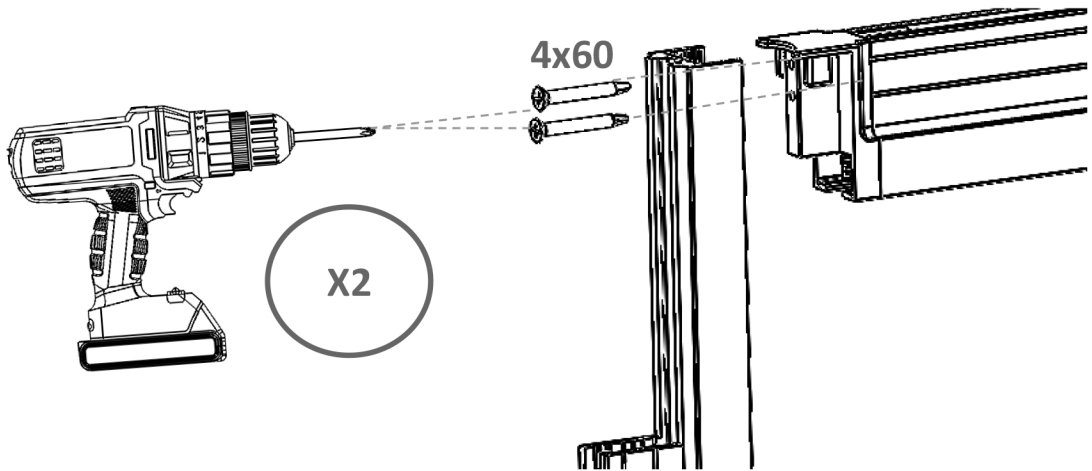
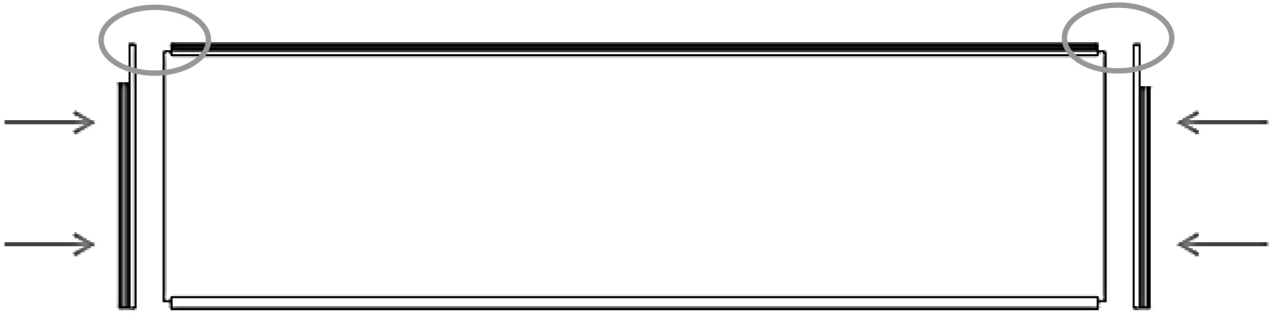
8



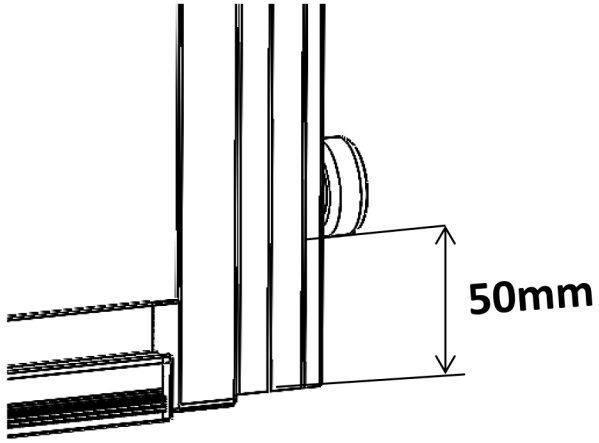
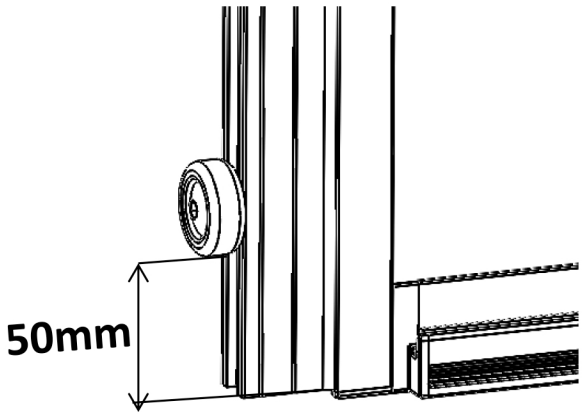
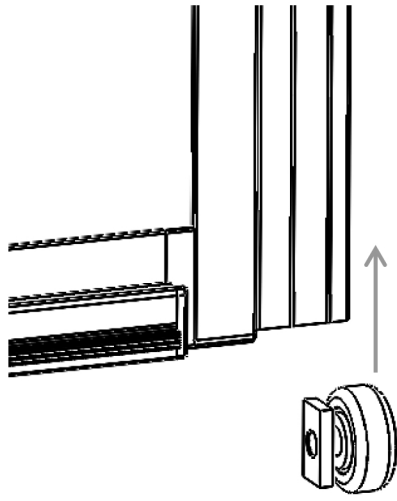
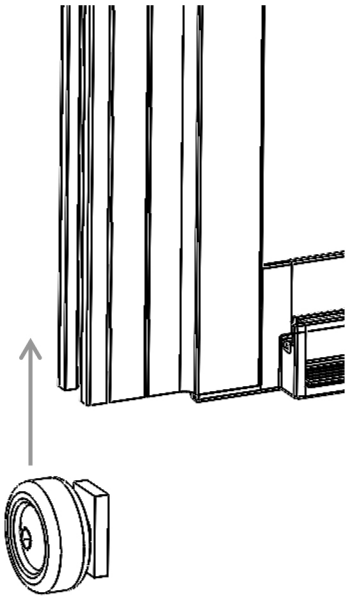
9



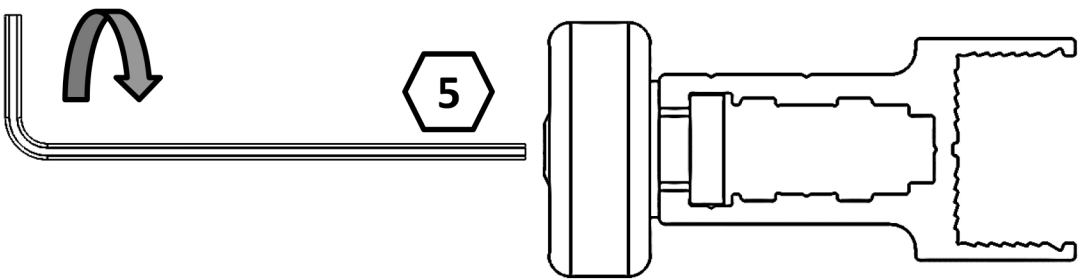
10



11

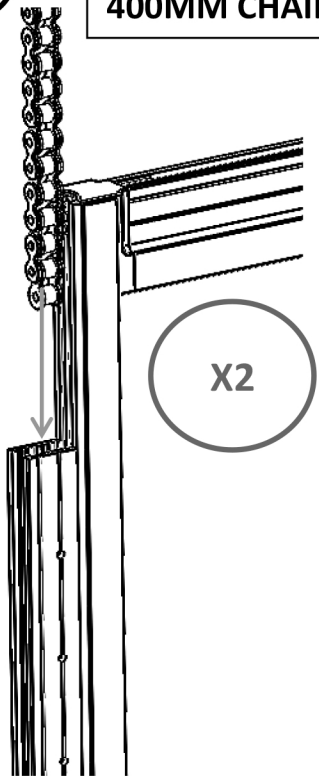


X2



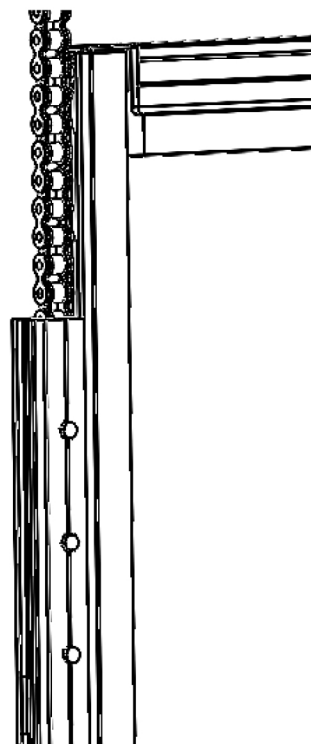
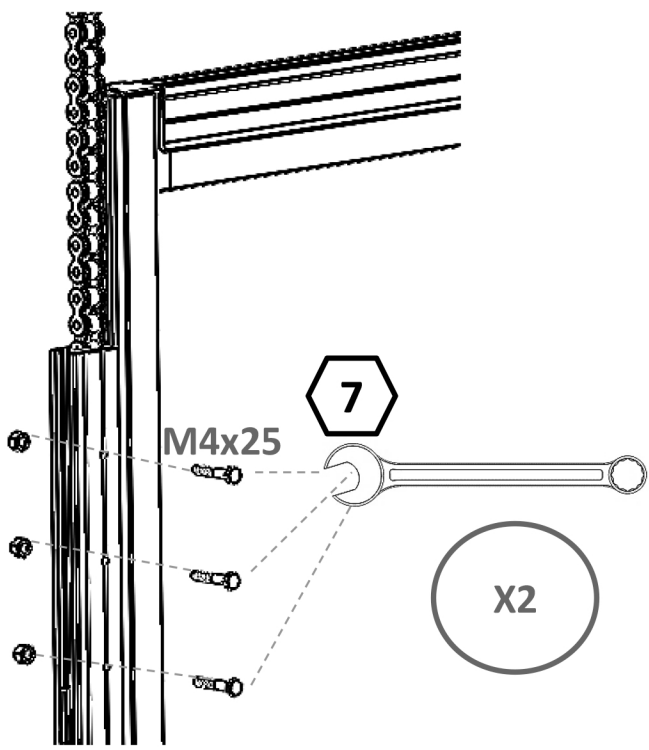
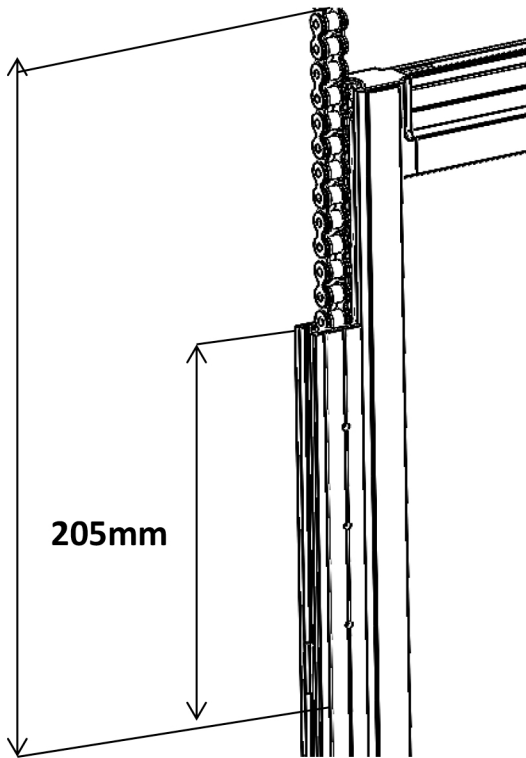
12

400MM CHAIN

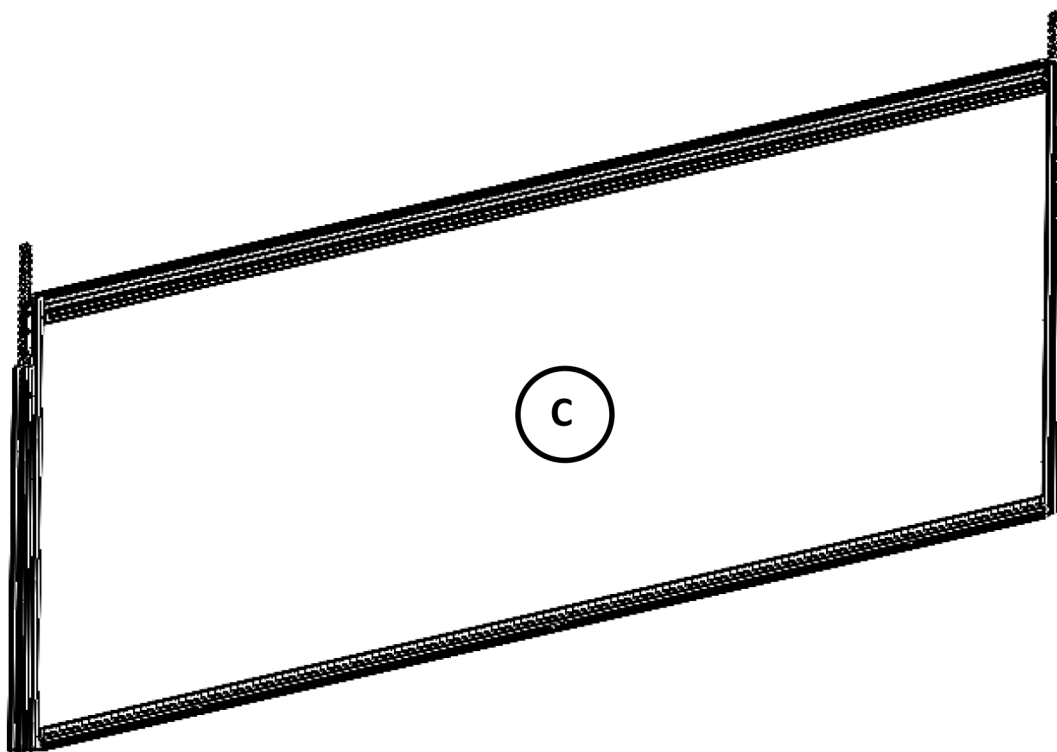
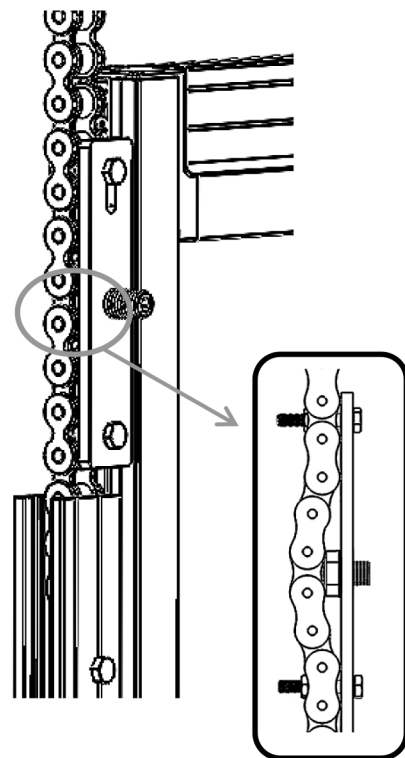
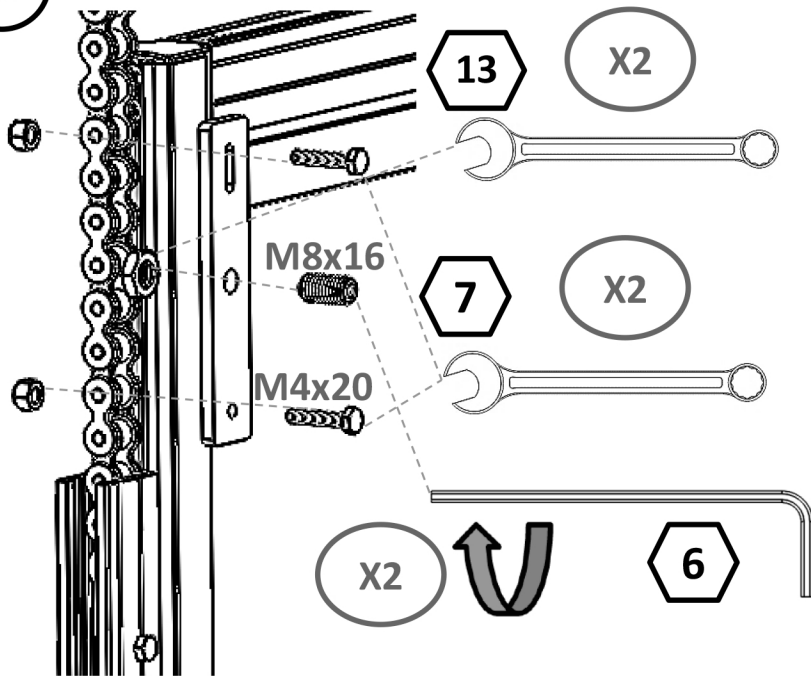


400mm

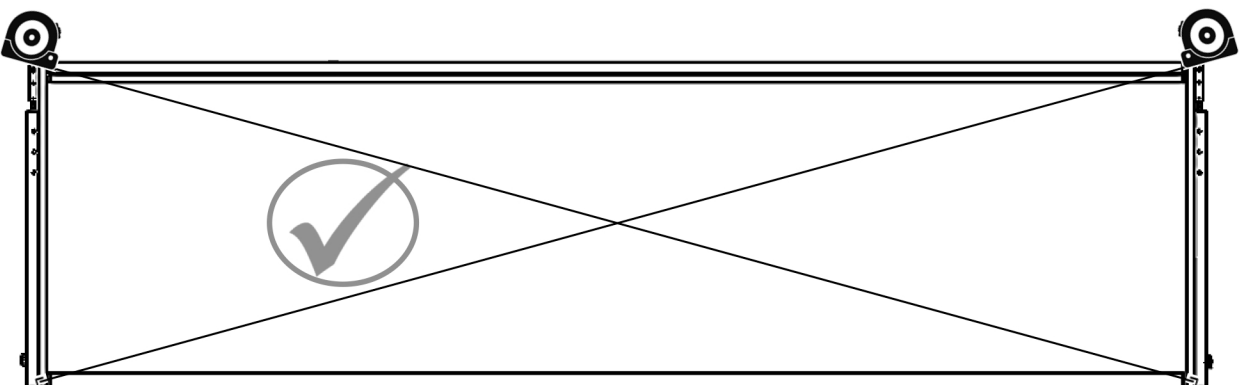
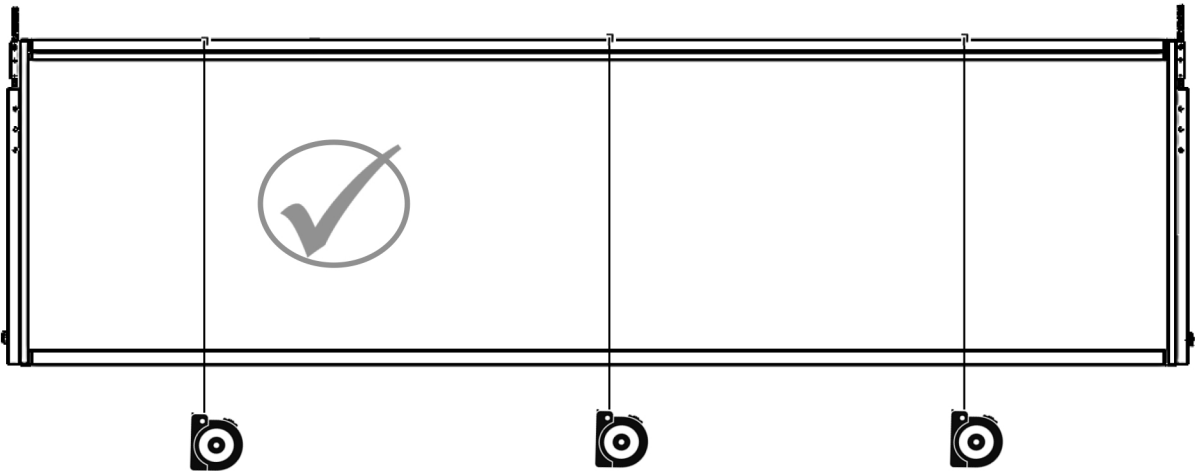
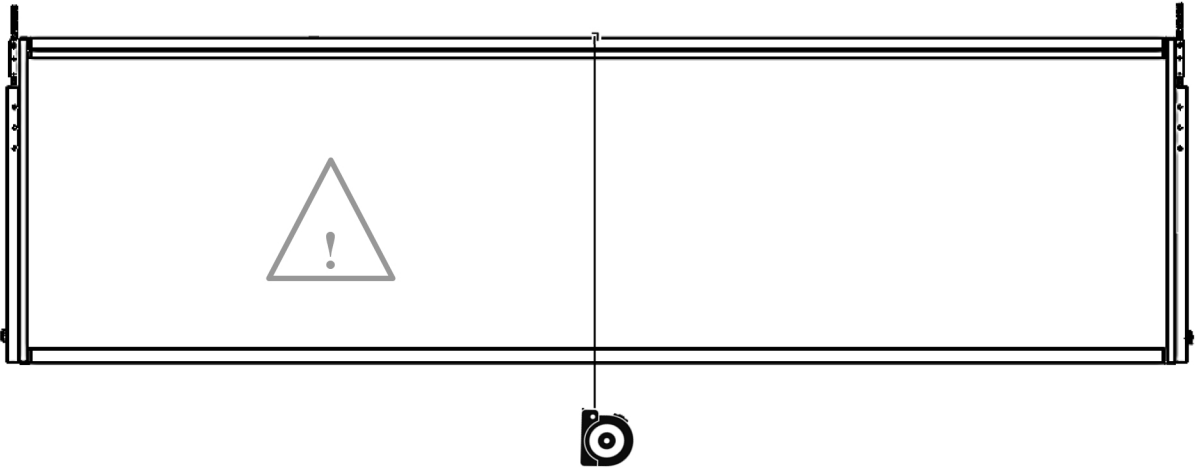
205mm



13



14

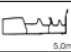

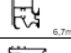


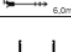






PanoramGlass

безрамное остекление

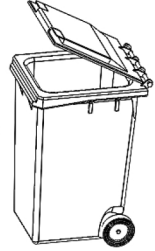
1

2100MM CHAIN

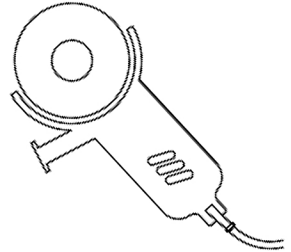
	37*127 ALT KASA PROFİLİ	2972	mm	1	Pcs.	
	74*36 ÇEKTİRME PROFİLİ	2820	mm	1	Pcs.	
	35*48 ÇEKTİRME PROFİLİ	2818	mm	2	Pcs.	
	65*43 İSPANYOLET KİLİT PROFİLİ	964	mm	2	Pcs.	
	38*30 KİLİT KARŞILIK PROFİLİ	979	mm	2	Pcs.	
	61*74 YAN DİKME İKİLİ TIRNAKSIZ KANAL PROFİLİ	979	mm	2	Pcs.	
	18*50 PANEL PROFILE	Top Panel' s Top Prf.	2812	mm	1	Pcs.
		Middle Panel' s Sides Prf.	959	mm	2	Pcs.
		Top Panel' s Sides Prf.	964	mm	2	Pcs.
	35*14 SIDE CAP PROFILE	For the Upper of Bottom Panel	1856	mm	2	Pcs.
		For the Upper of Middle Panel	938	mm	2	Pcs.
	Ø70x1,2mm OCTAGONAL PROTECTION PIPE	2915	mm	1	Pcs.	
	CHAIN	FIX	400	mm	2	Pcs.
		CUTTING DIMENSION	2370	mm	2	Pcs.

Xmm

Xmm



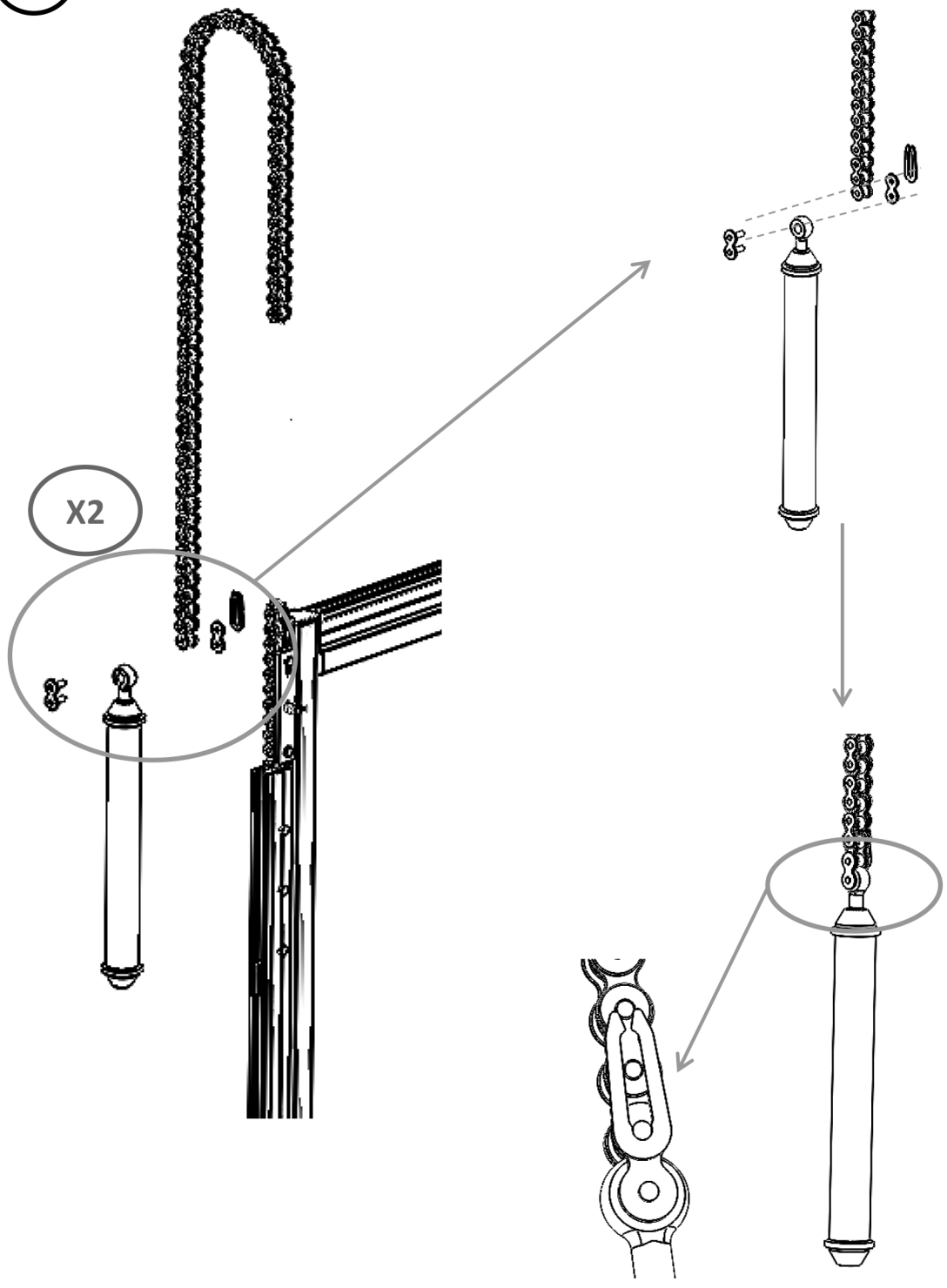
X2



PanoramGlass

безрамное остекление

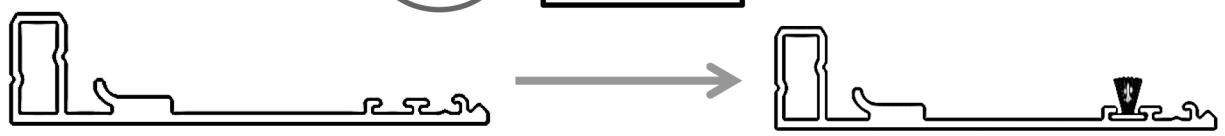
2



3

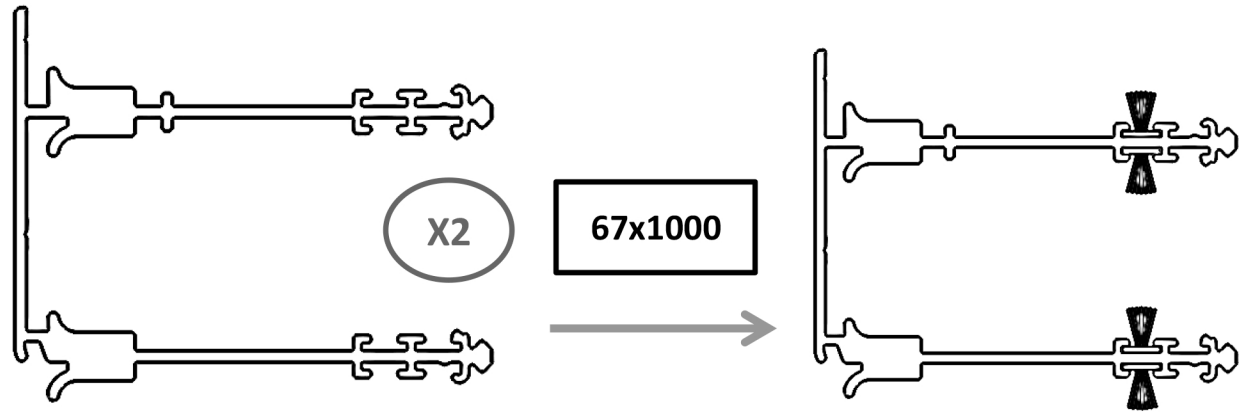
X4

67x1000

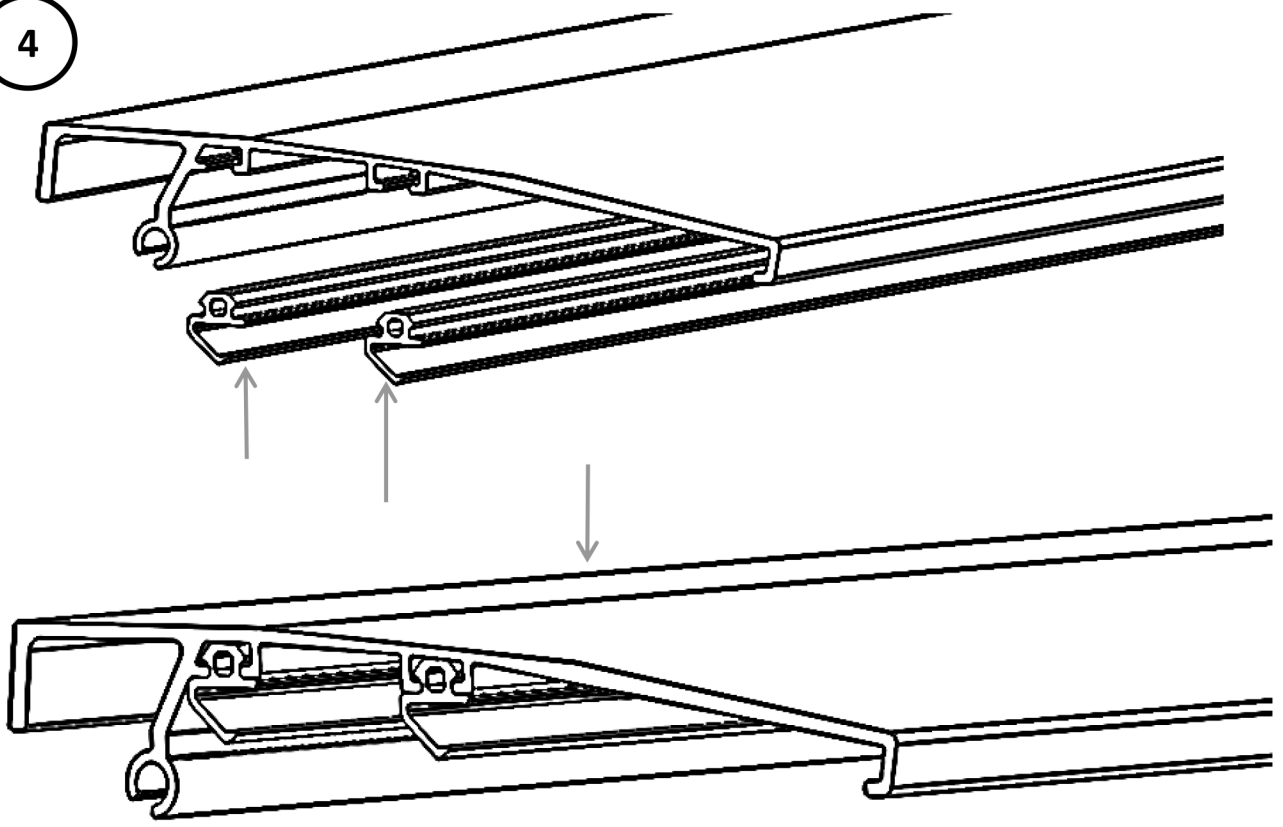


X2

67x1000



4

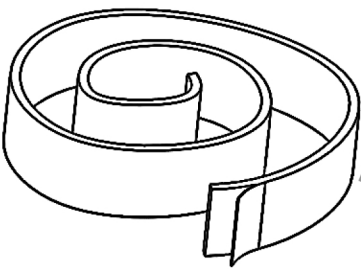
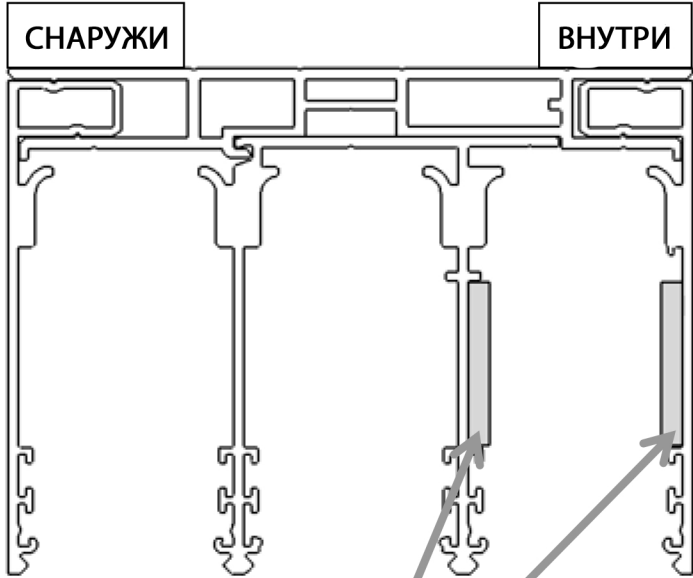
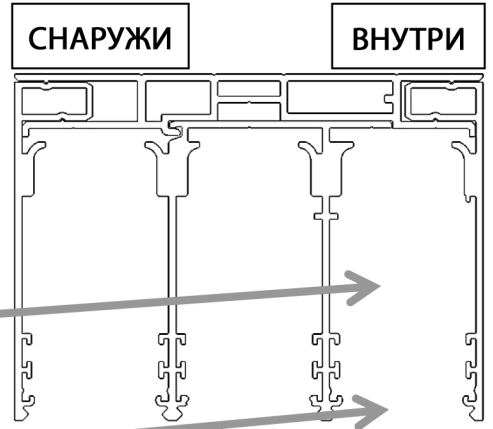
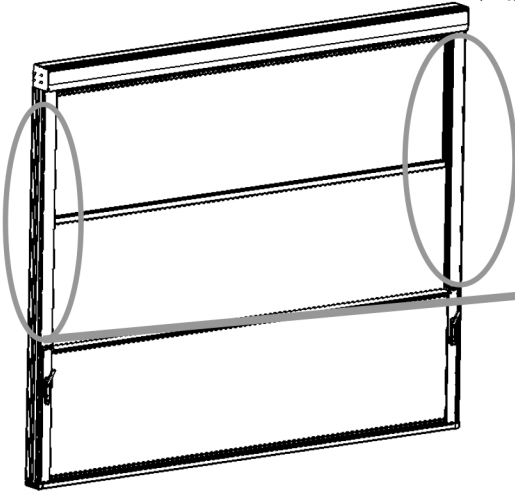


PanoramGlass

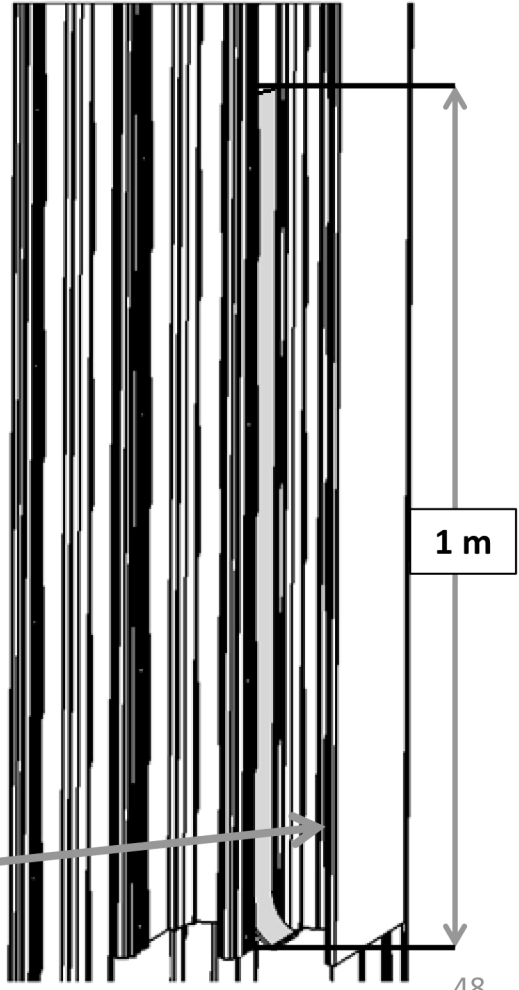
безрамное остекление

5

Код	Наименование	Высота	Ширина	Кол-во	Единица
61*74	SIDE DUAL CHANEL PROFILE	1858	mm	2	Pcs.
19*84	SIDE SINGLE CHANEL PROFILE	2837	mm	2	Pcs.
16*116	SIDE PROFILE	1856	mm	2	Pcs.



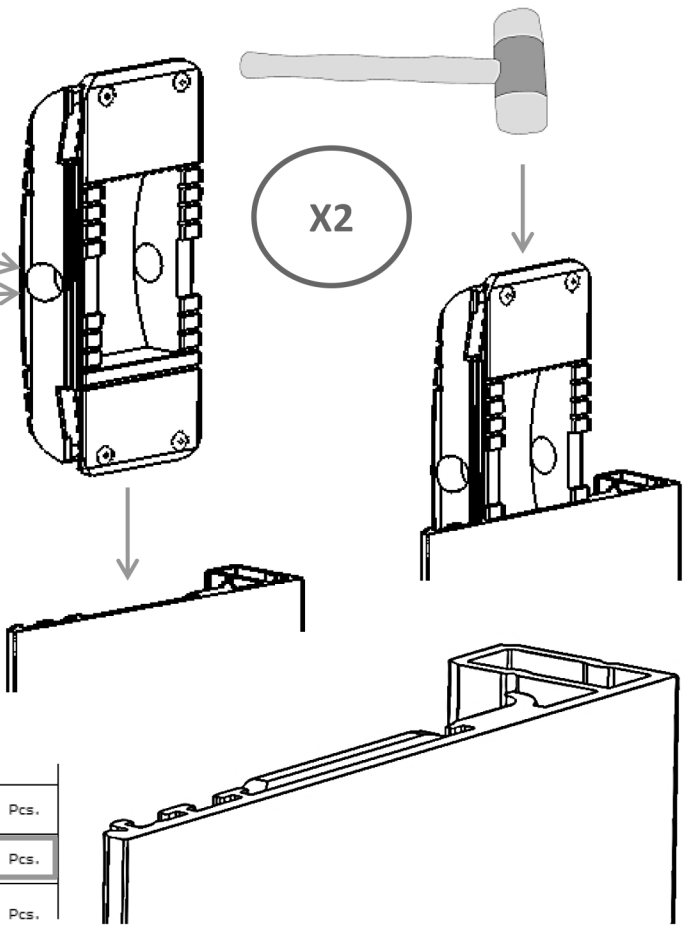
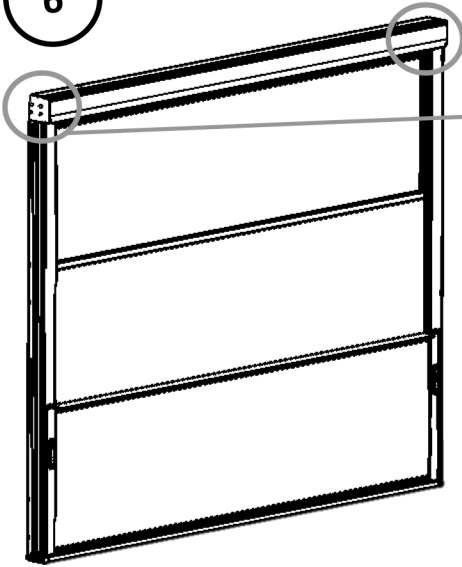
X2


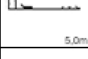



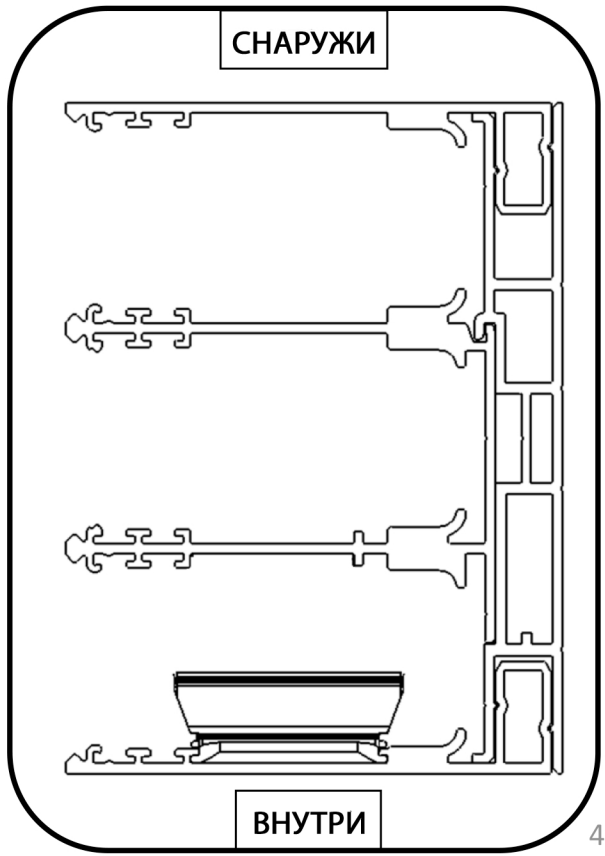
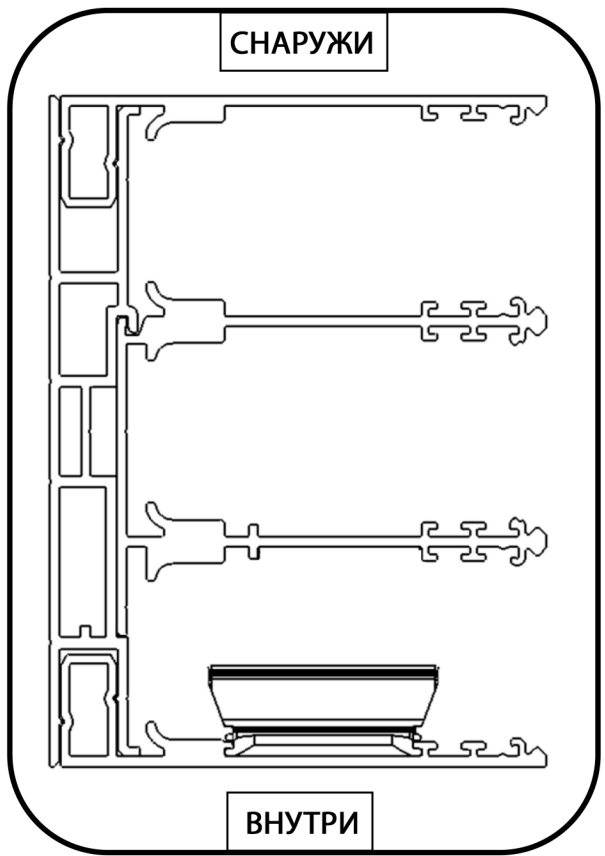
PanoramGlass

безрамное остекление

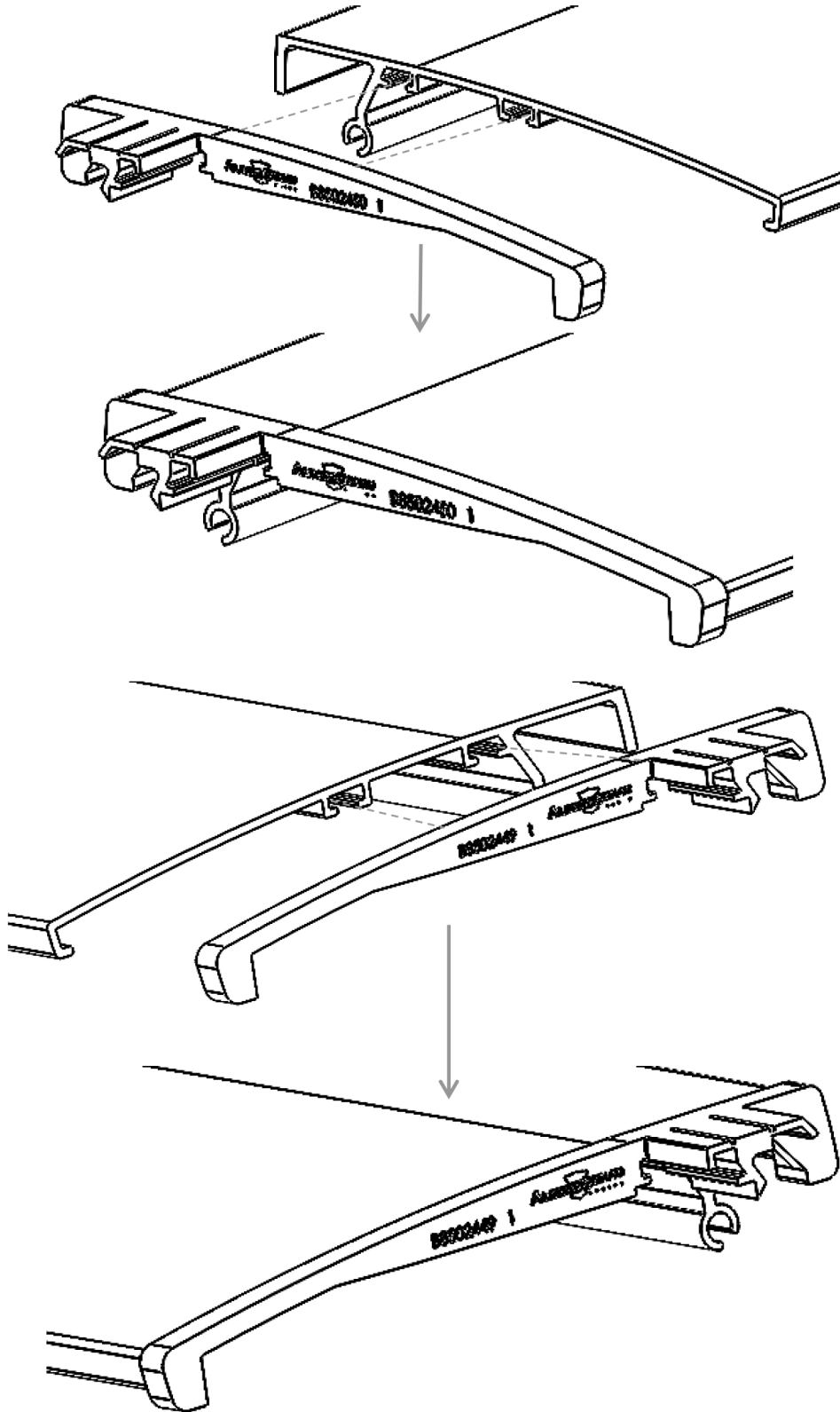
6



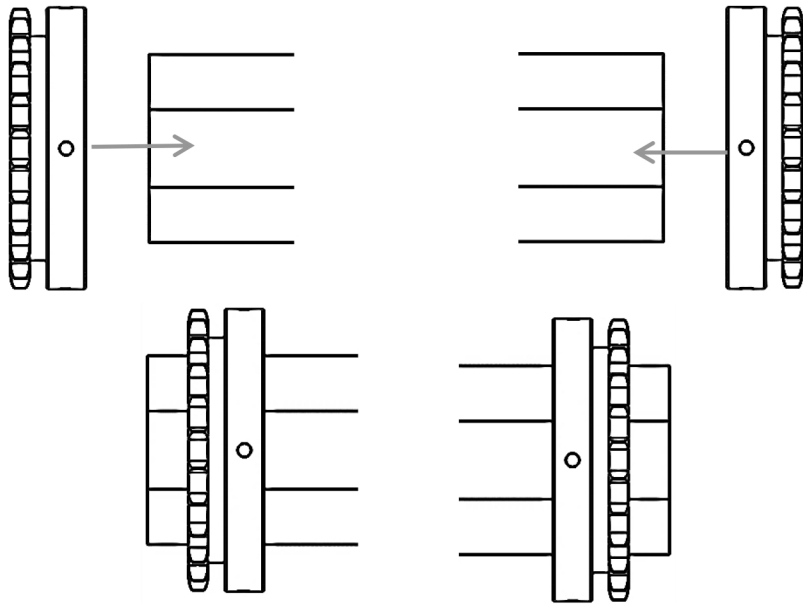
	19*84 SIDE SINGLE CHANEL PROFILE	2827	mm	2	Pcs.
	16*116 SIDE PROFILE	1856	mm	2	Pcs.
	16*116 SIDE PROFILE	2827	mm	2	Pcs.



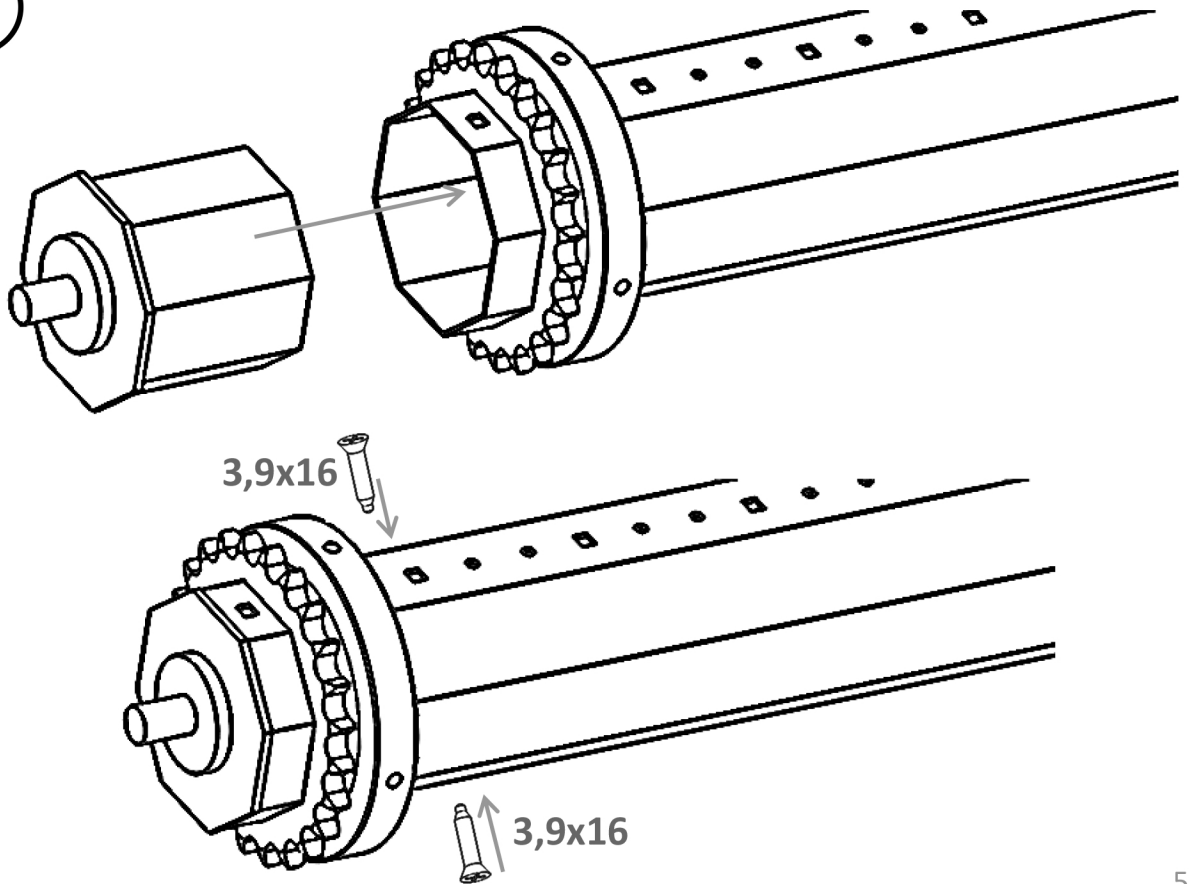
7

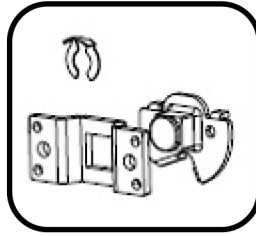


8

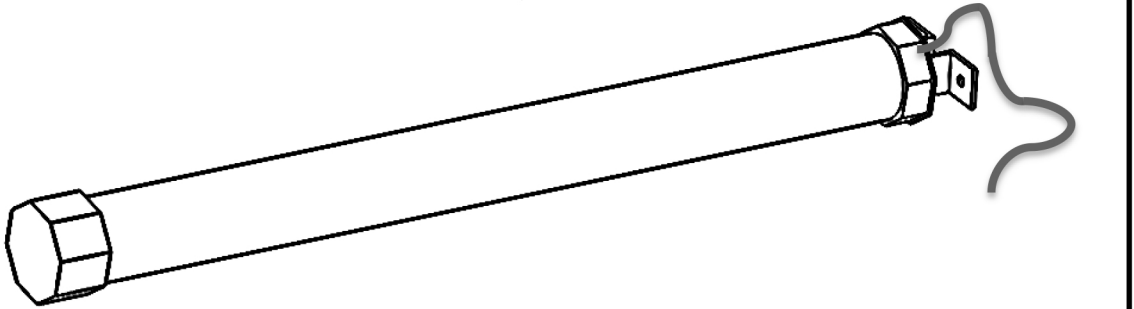
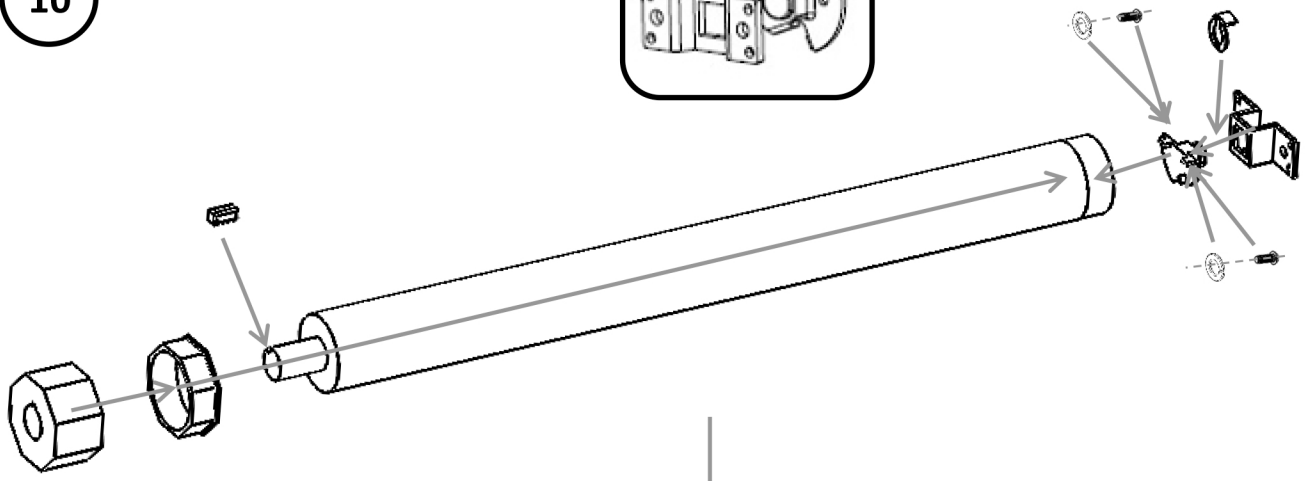


9

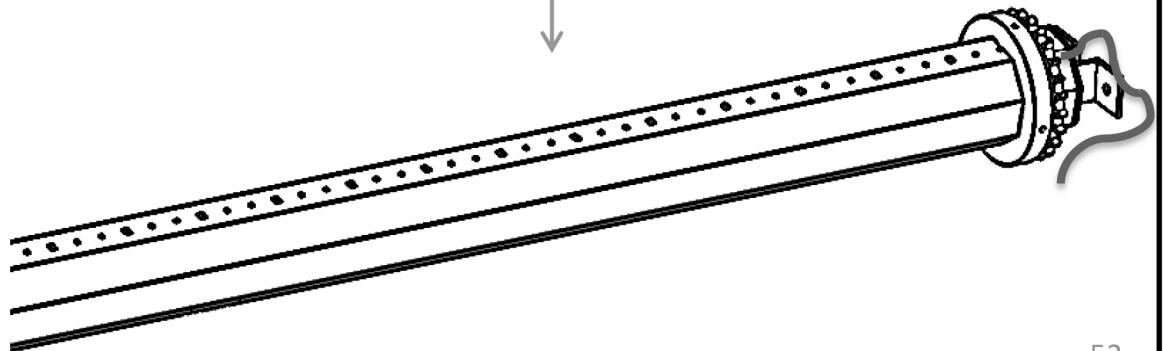
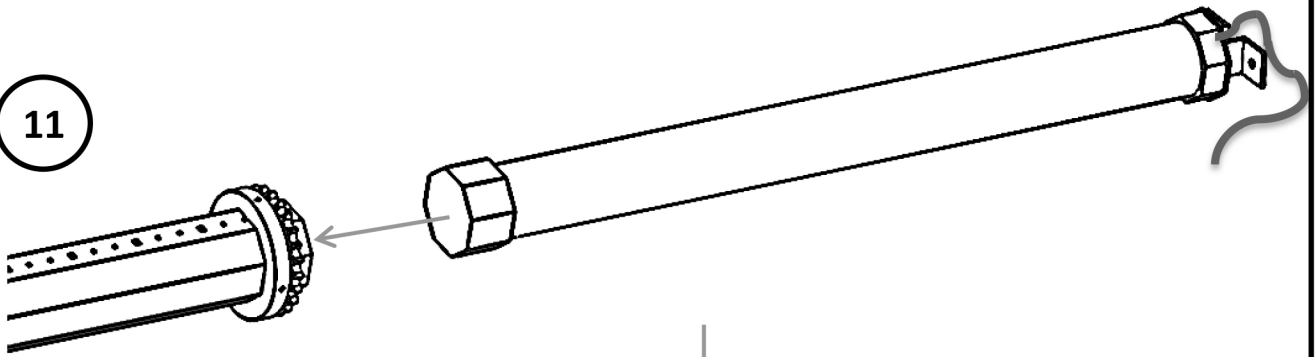




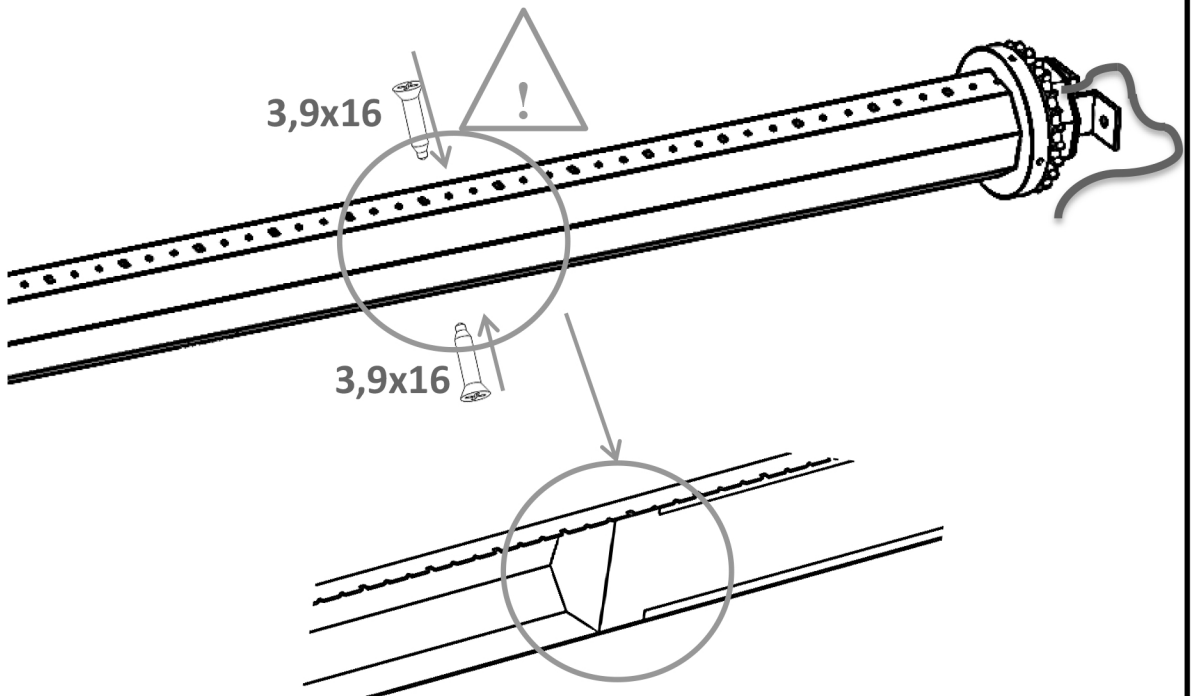
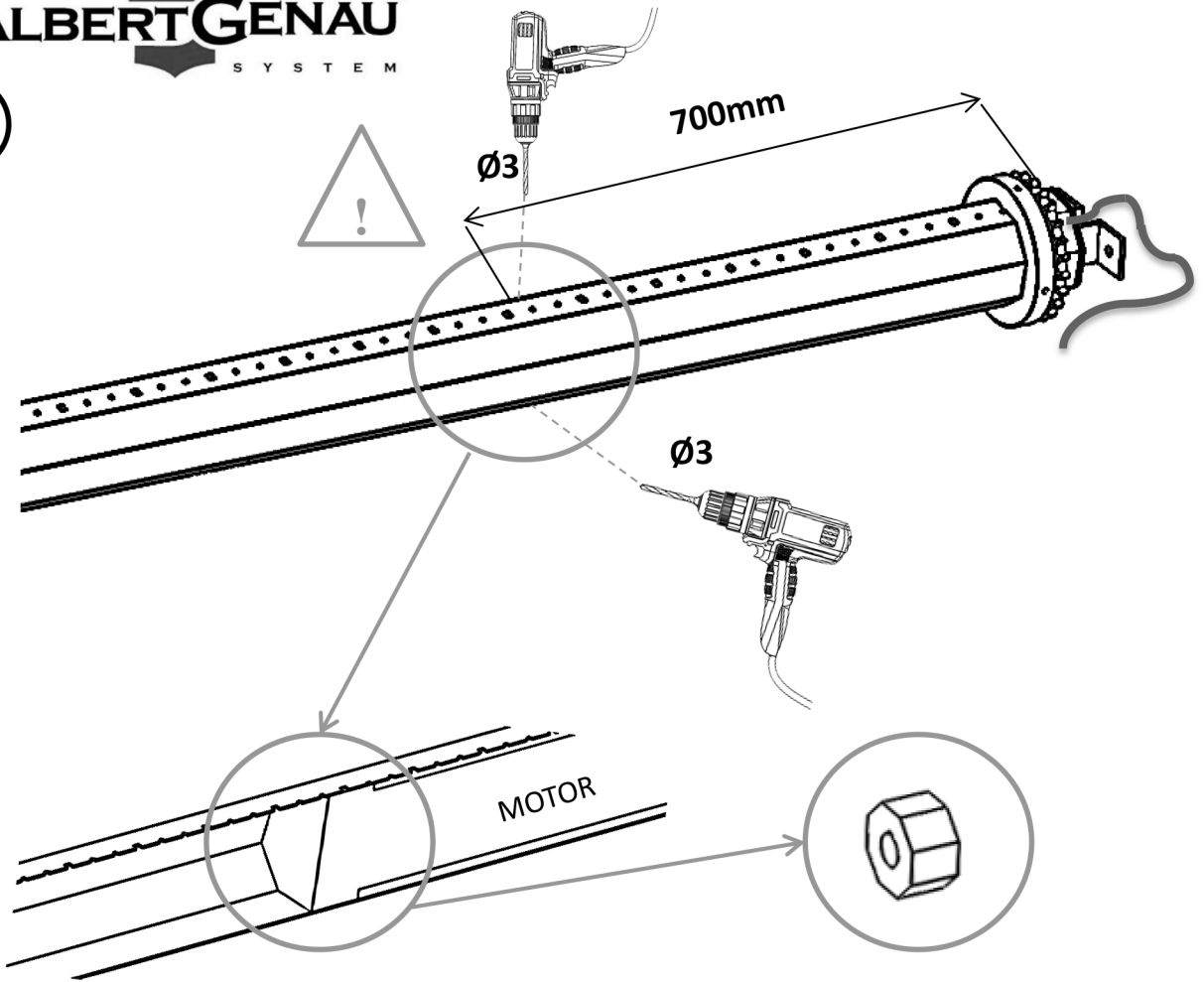
10



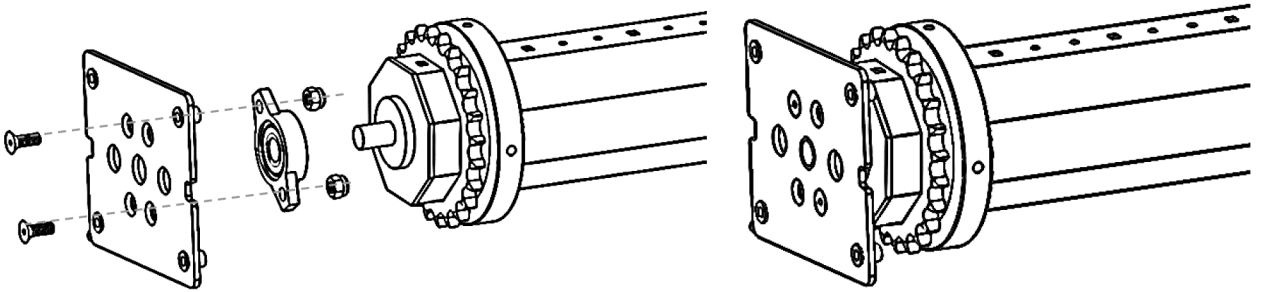
11



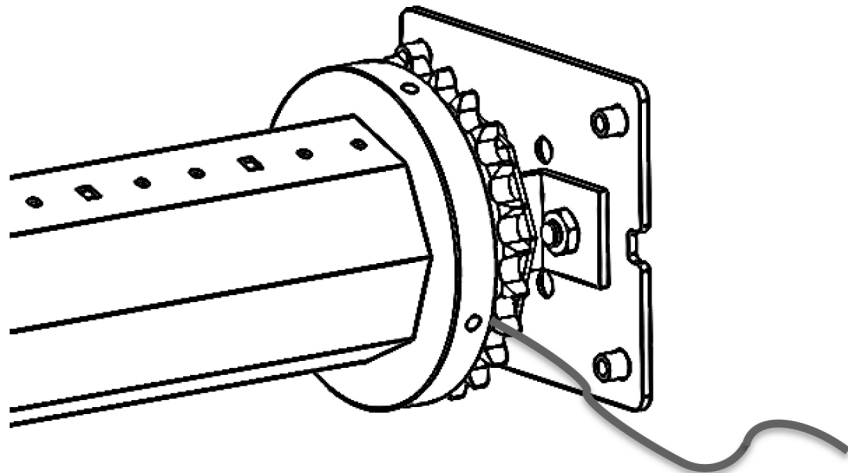
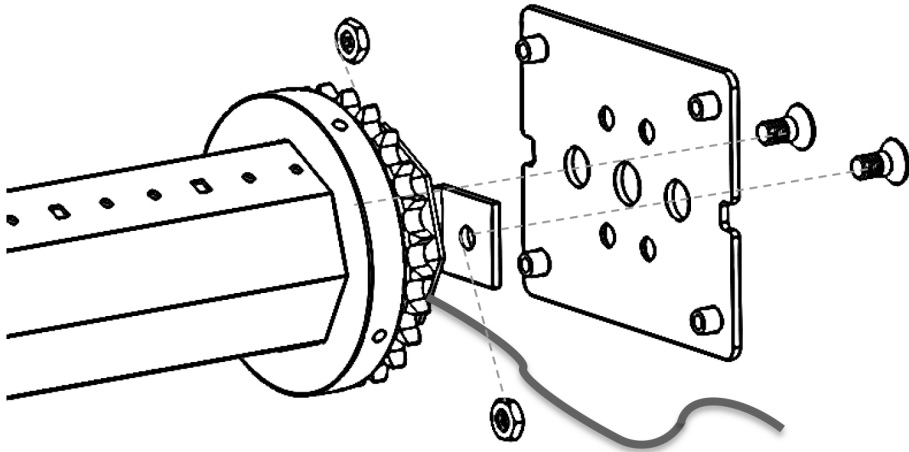
12

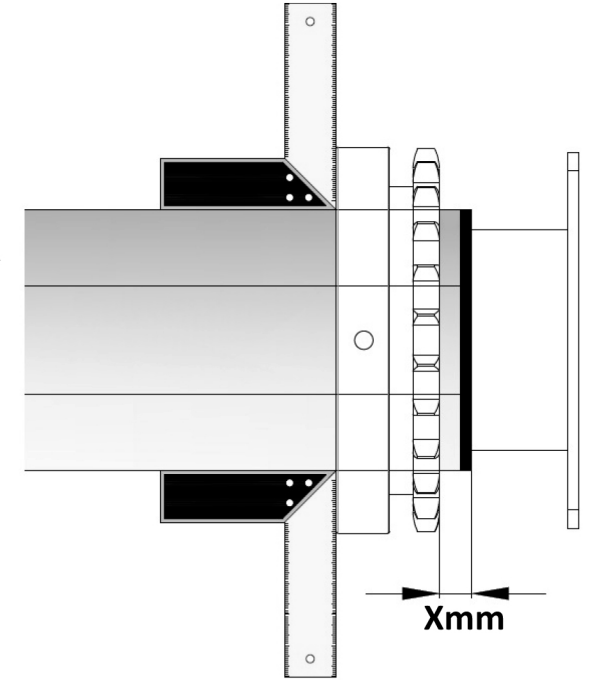
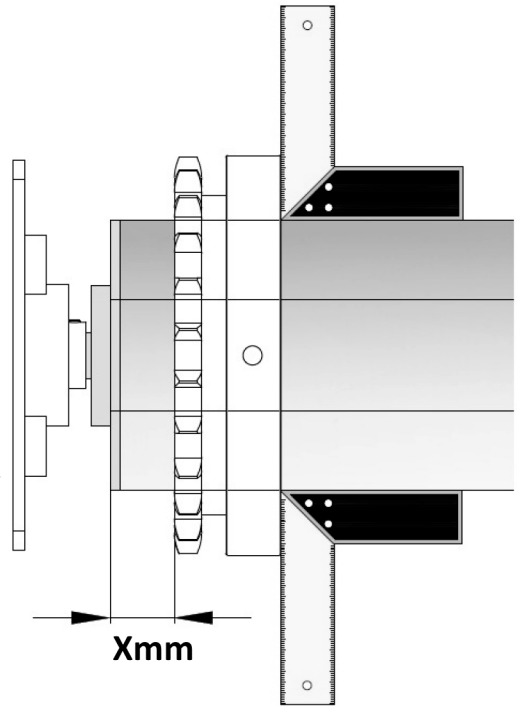


13



14





ALBERT GENAU VERTIFLEX TWIN

HÜSTERE ADI SOYADI: _____ Tarih: 02.01.2019

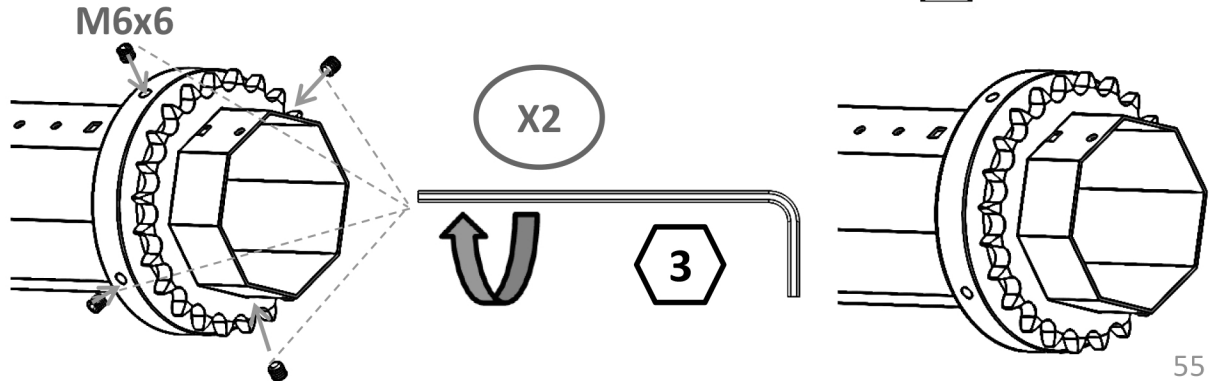
BÖLÜM ÖLÇÜLERİ

BÖLÜM	BÖLÜM BİRLİK ÖLÇÜSÜ	SABİT PANEL YÜKSEKLİĞİ (ÖZEL ÖLÇÜ İKİ)	SABİT PANEL BAŞIÇ CAH SAYISI	YÜKSEKLİK
	3000		3	2500
	Yarıotomatik Farklılıkta Düşük Ölçüde Çıkarılan Bölüm Başlığı Ölçüsü			2501

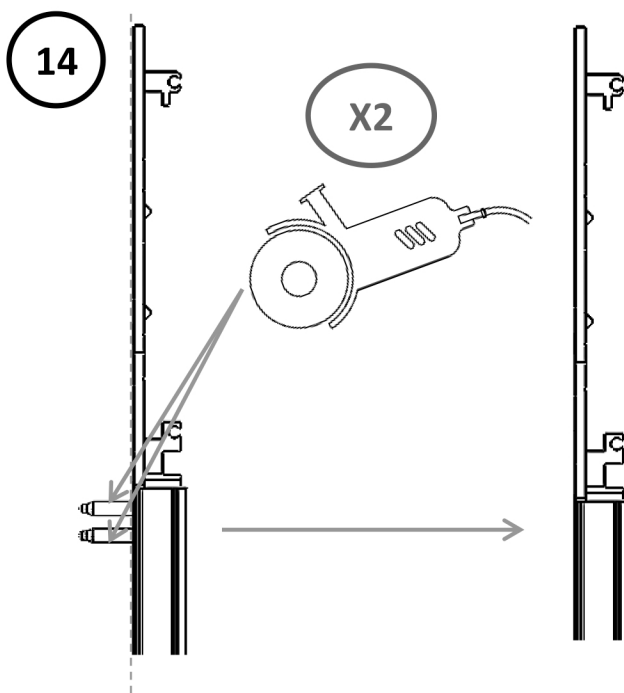
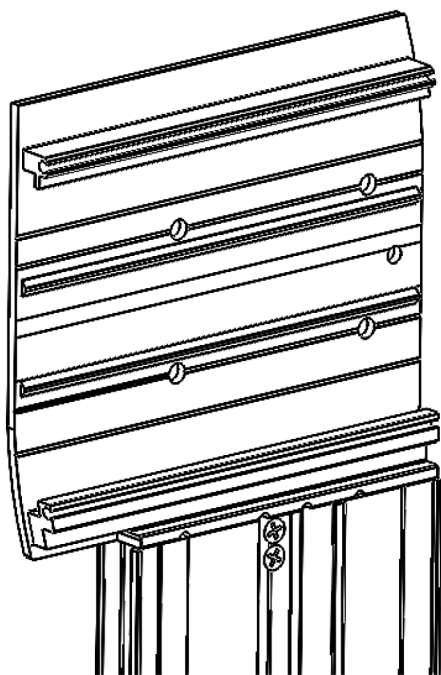
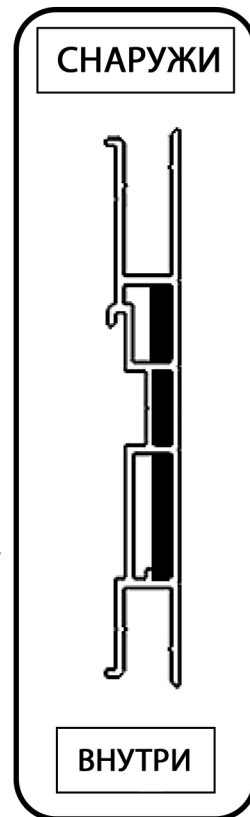
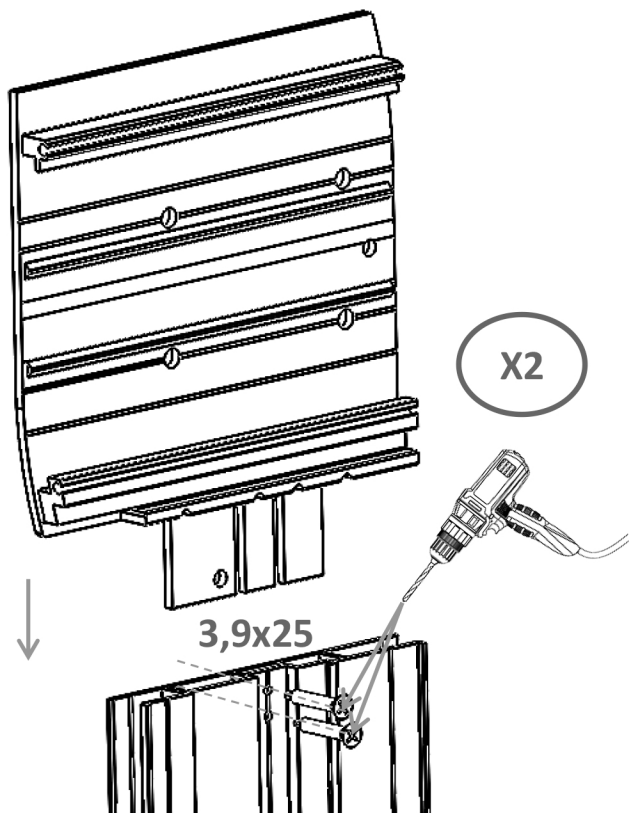
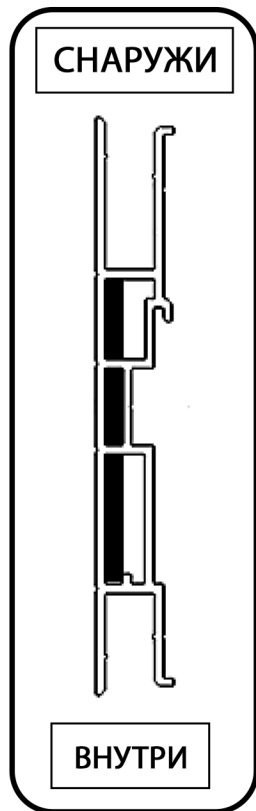
MOTOR TİPİ
 ☑ ALBERT GENAU MOTOR
 ☐ SORFY MOTOR

CAH ÖLÇÜLERİ

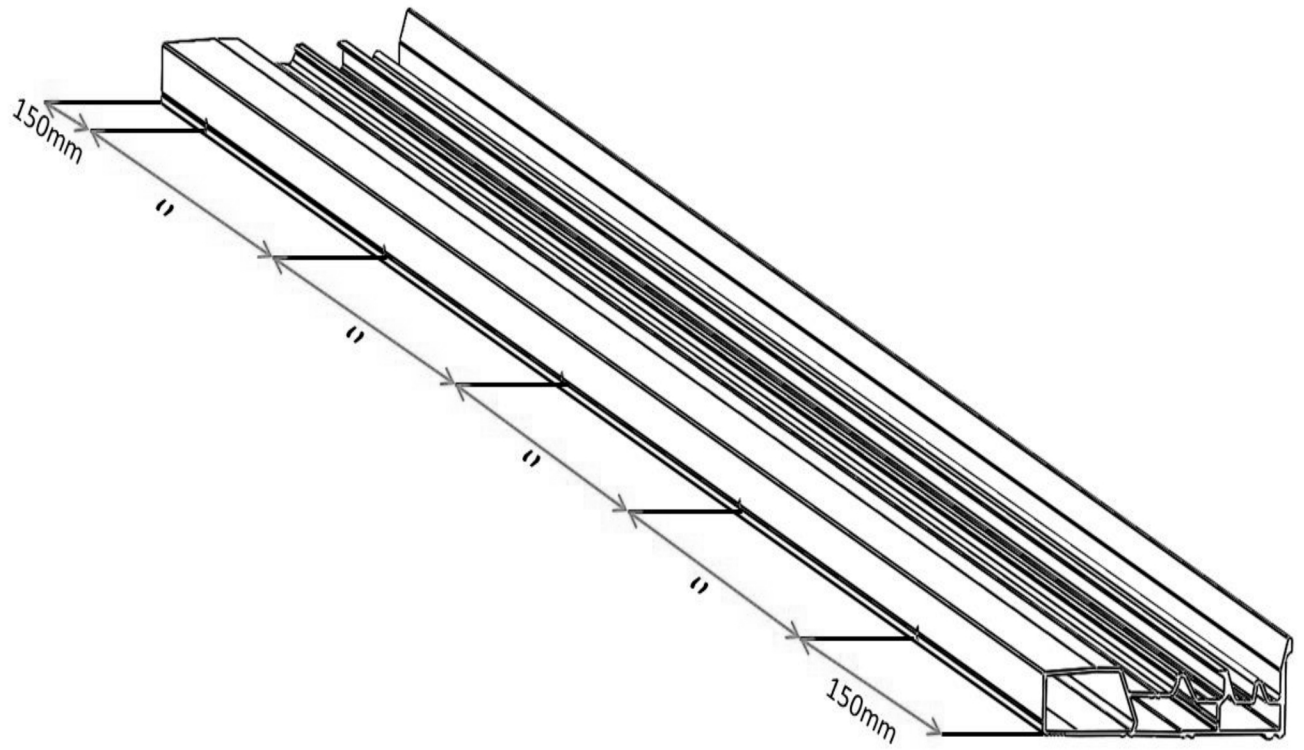
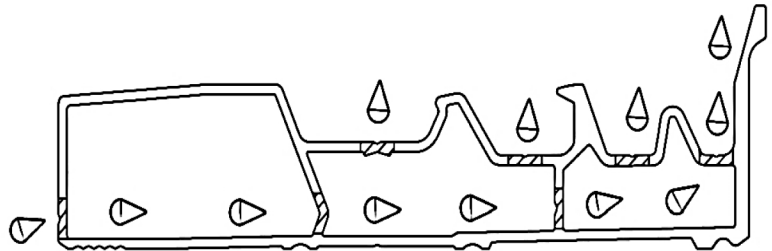
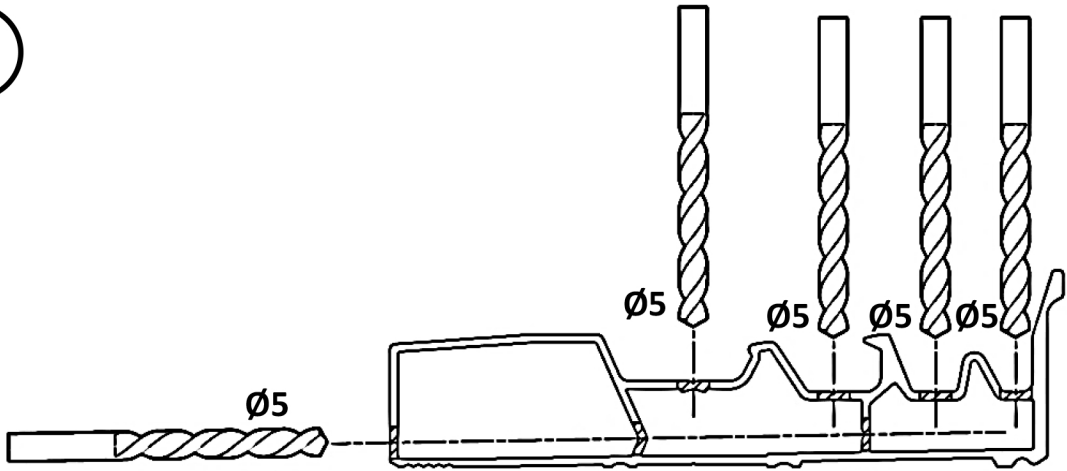
CAH TANIMI	MİKTAR	BİRİM
2859 X 748 mm 5mm +12 +5mm İncam İÇ-SABİT	1	ADET
2859 X 762 mm 5mm +12 +5mm İncam ORTA	1	ADET
2859 X 748 mm 5mm +12 +5mm İncam DIŞ	1	ADET



16



17



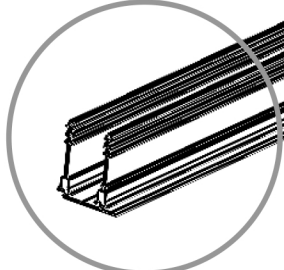
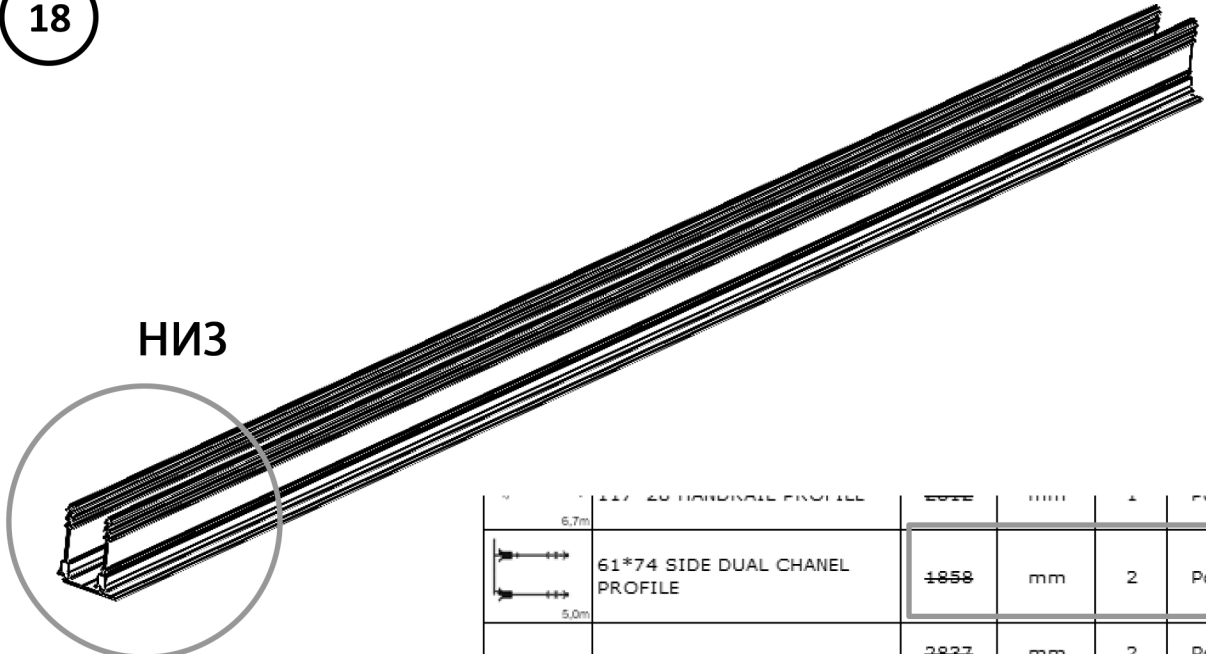
PanoramGlass

безрамное остекление

18

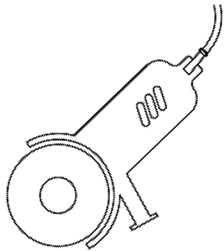
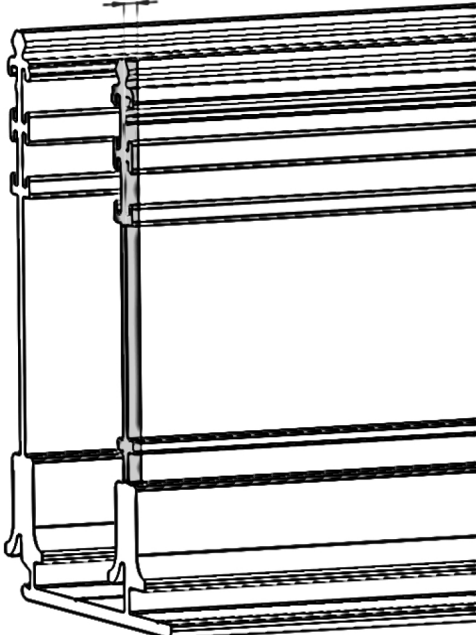
БЕРХ

НИЗ

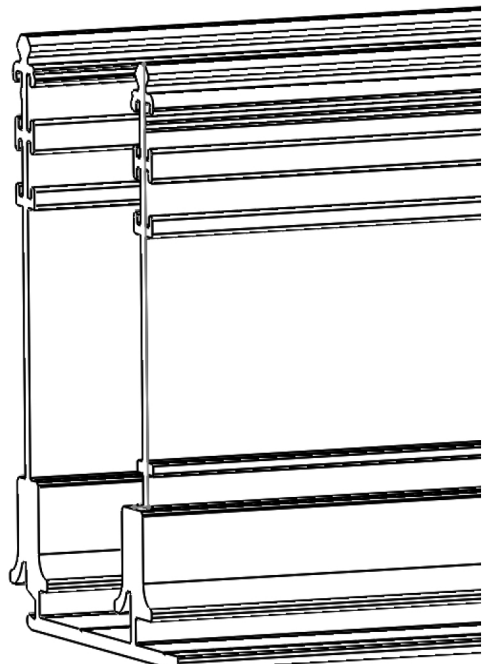


№	НАИМЕНОВАНИЕ ПРОФИЛЯ	ДЛИНА	ШИРИНА	К-Т	ЕД. ИЗМ.
6.7m	61*74 SIDE DUAL CHANEL PROFILE	1858	mm	2	Pcs.
5.0m	19*84 SIDE SINGLE CHANEL PROFILE	2837	mm	2	Pcs.

3 mm



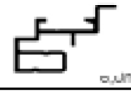


X2



PanoramGlass

безрамное остекление

19

	38*30	979	mm	2	Pcs.
	61*74	979	mm	2	Pcs.
	Top Panel's Top Prof.	2812	mm	1	Pcs.

